

## Features

- Front mirror, inside door mirror, and back panel mirror provide superior visibility
- Two adjustable tempered-glass shelves
- Finish-matched cabinet interior
- Half-shelf adjustable accessory for additional storage included
- Hinges have 110° opening capability

## Material

- Anodized aluminum construction with a durable rustproof and chip-resistant finish

## Installation

- Surface-mount or recessed
- Can be installed with left- or right-hand swing



## Codes/Standards




ANSI Z97.1  
CPSC 16CFR 1201  
EPA TSCA Title VI/CARB P2

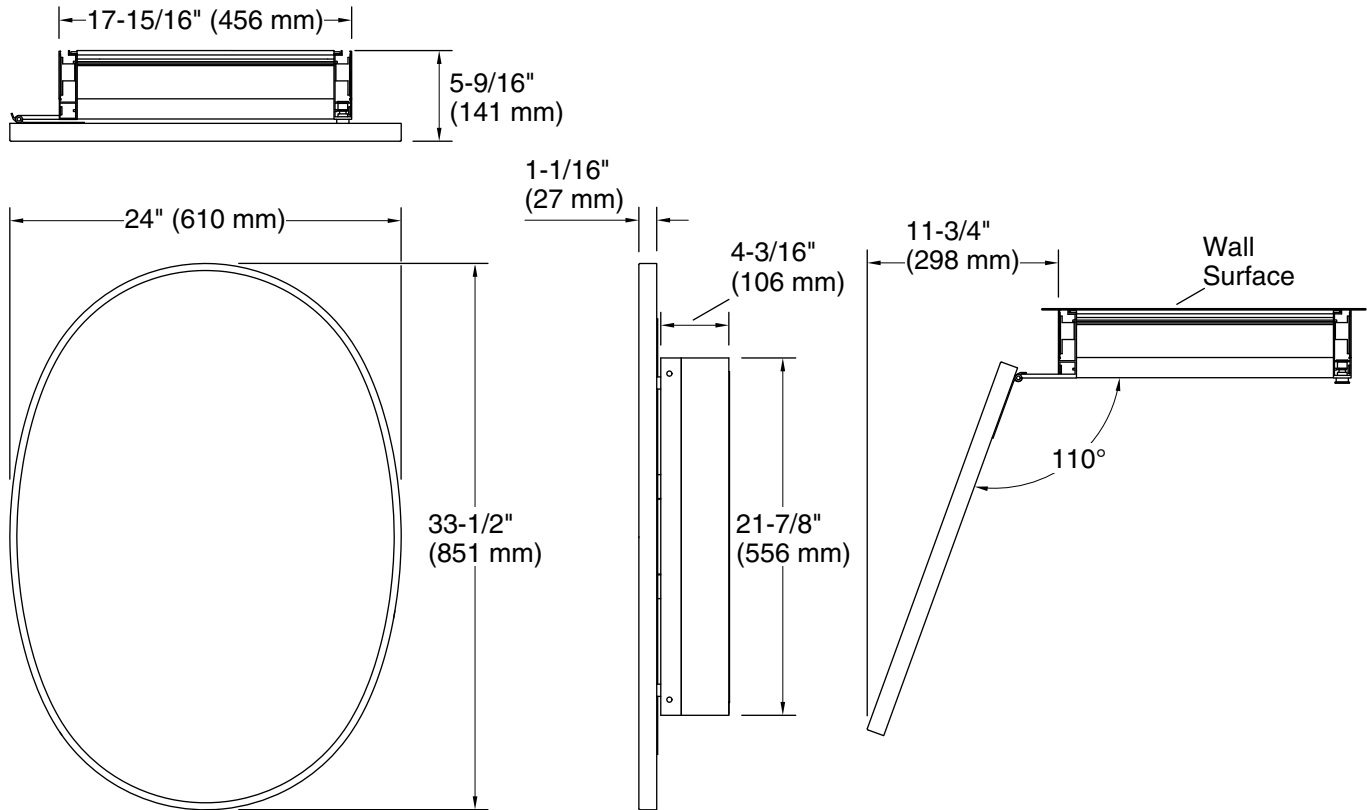
## KOHLER® One-Year Limited Warranty

See website for detailed warranty information.

## Available Colors/Finishes

*Color tiles intended for reference only.*

Color	Code	Description
	BGL	Moderne Brushed Gold
	BNL	Brushed Nickel
	BLL	Matte Black



## Technical Information

All product dimensions are nominal.

## Notes

Install this product according to the installation instructions.

Select the type of fastener based on the wall material. A minimum 220.4 lb (100 kg) load bearing fastener is recommended. Install the fastener to a stud to avoid possible property and product damage.