



Location:

SLS-3612-1.5, SLS-3610-1.5  
Single Handle Lavatory Faucet  
Specification Submittal







SLS-3612-1.5

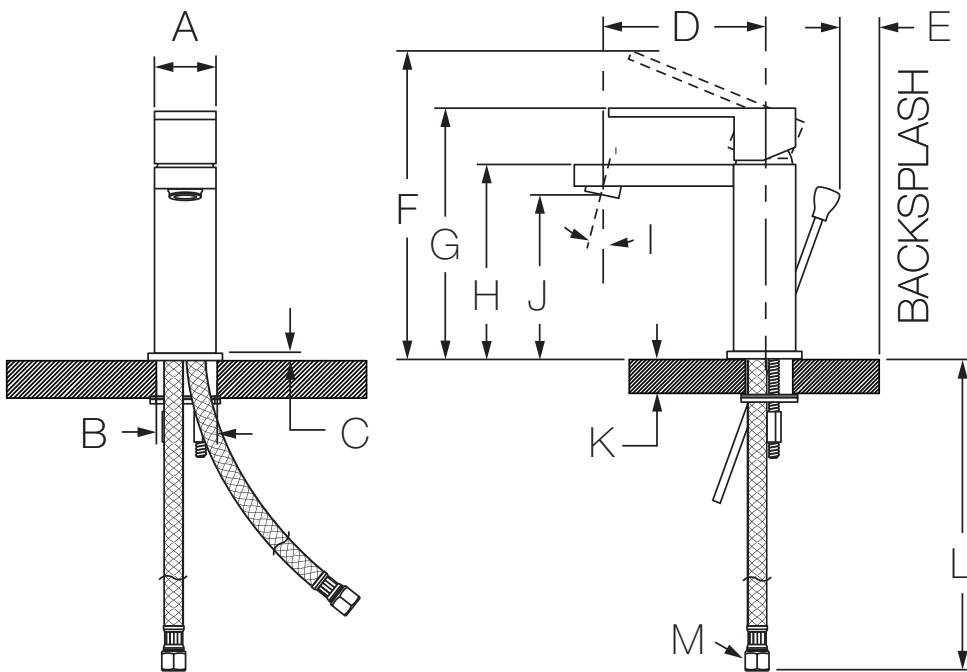


SLS-3610-1.5



<p><b>Model Numbers</b></p> <ul style="list-style-type: none"> <li><input type="checkbox"/> <b>SLS-3612-1.5</b> <i>Single Handle Lavatory Faucet with lift rod and metal drain assembly</i></li> <li><input type="checkbox"/> <b>SLS-3610-1.5</b> <i>Single Handle Lavatory Faucet, lift rod and drain not included</i></li> </ul>	<p><b>Feature Highlights</b></p> <ul style="list-style-type: none"> <li>• Single hole mount configuration</li> <li>• Quarter turn ceramic cartridge</li> <li>• 24 inch braided hose water supply connections</li> <li>• 6-7/8" height</li> <li>• Lift rod and metal drain assembly (SLS-3612-1.5)</li> <li>• Standard 1.5 gpm (5.7 L/min) aerator</li> <li>• Faucet shall be metal construction, plated in standard polished chrome finish</li> </ul>
<p><b>Finish Options/Modifications</b></p> <ul style="list-style-type: none"> <li><input type="checkbox"/> <b>-0.5</b>  <i>0.5 gpm (1.9 L/min) aerator</i></li> <li><input type="checkbox"/> <b>-1.0</b>  <i>1.0 gpm (3.8 L/min) aerator</i></li> <li><input type="checkbox"/> <b>-DP4</b> <i>4" deck plate</i></li> <li><input type="checkbox"/> <b>-BBZ</b> <i>Brushed Bronze finish</i></li> <li><input type="checkbox"/> <b>-MB</b> <i>Matte Black finish</i></li> <li><input type="checkbox"/> <b>-STN</b> <i>Satin Nickel finish</i></li> </ul> <p><b>Note:</b> Append appropriate -suffix to model number.</p>	<p><b>Compliance</b></p> <ul style="list-style-type: none"> <li>-ASME A112.18.1/CSA B125.1</li> <li>-NSF/ANSI 61.9; NSF/ANSI 372</li> <li>-WaterSense 1.5 gpm</li> </ul> <div style="display: flex; justify-content: flex-end; align-items: center;">   </div> <hr/> <p><b>Warranty</b></p> <p><b>Limited Lifetime</b> - to the original end purchaser in consumer/residential installations.  <b>5 Years</b> - for industrial/commercial installations.  Refer to <a href="http://www.symmons.com/warranty">www.symmons.com/warranty</a> for complete warranty information.</p>

## Dimensions



Measurements	
A	1-11/16", 43 mm
B	Hole Size: Min. Ø 1-1/4", 32 mm Max. Ø 1-1/2", 38 mm
C	3/16", 5 mm
D	4-7/16", 113 mm
E	Min. 2-1/2", 64 mm
F	8-7/16", 214 mm
G	6-7/8", 175 mm
H	5-5/16", 135 mm
I	12°
J	4-7/16", 113 mm
K	Deck Thickness Ref. Min. 7/8", 22 mm Max. 2-1/2", 64 mm
L	24", 610 mm
M	(2x) 3/8" compression fitting

**Note:** Dimensions subject to change without notice.