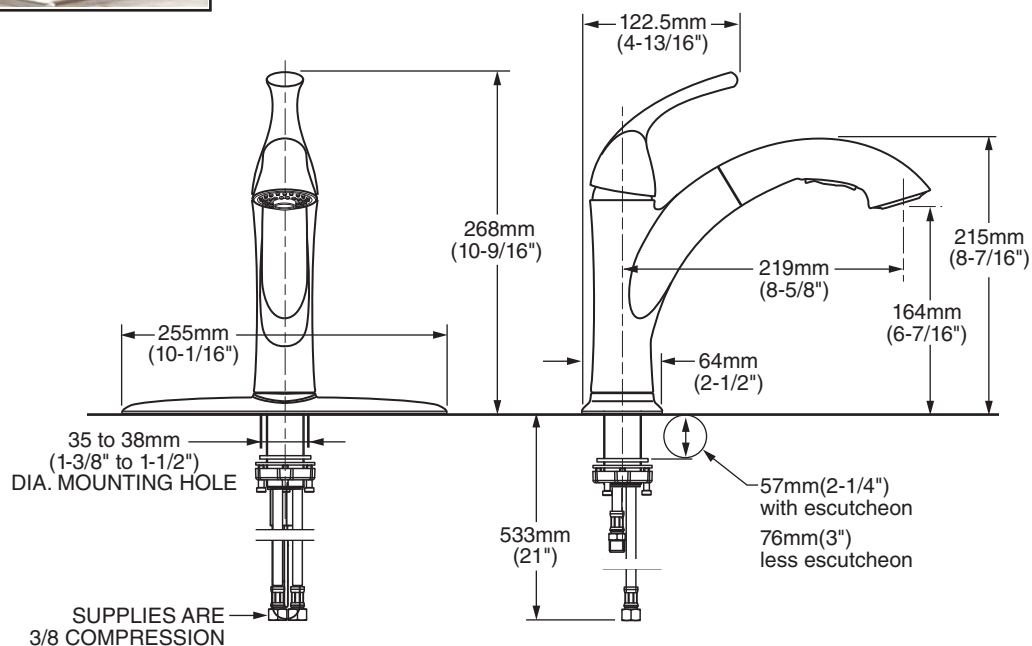




MODEL NUMBER:

- **4433 100 Kitchen Faucet with Pull-Out Spray Spout**
Mounts with or without escutcheon plate.



GENERAL DESCRIPTION:

Metal body and metal escutcheon plate. Metal swivel pull-out spray spout. Adjustable spray pattern with toggle button activation. Washerless 40mm ceramic disc valve cartridge. 610mm (24") long braided flexible supply hoses with 3/8" compression connections. Metal mounting shank with brass fixation ring, for installation on counters ranging from 2" (51mm) to 3" (76mm) thickness. Complete with two integral check valves. 1.84 gpm/ 8.3L/min at 60 p.s.i. (410kPa) maximum flow rate. Can be mounted with or without supplied escutcheon plate (escutcheon size 10-1/16"L x 2-1/2"W (256 x 64mm)).

PRODUCT FEATURES:

Ceramic Disc Valve Cartridge: Assures smooth, precise valve control and a lifetime of drip-free, maintenance-free performance.

Memory Position Valving: Allows user to turn valve on and off at preferred temperature setting without readjusting handle position each time.

Lead Free: Faucet contains $\leq 0.25\%$ total lead content by weighted average.

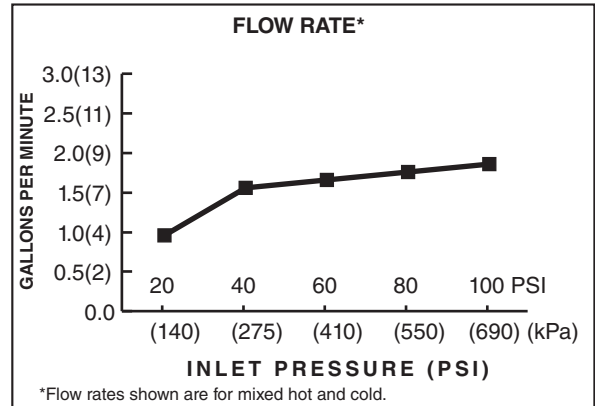
Integral Check Valves: Prevents back flow.

Pull-out Spray Spout: Switches water flow from a stream to a spray. Simplifies even the most difficult cleaning tasks.


CODES AND STANDARDS

These products meet or exceed the following codes and standards:

- ANSI A117.1**
- ASME A112.18.1M**
- NSF 61/Section 9 & Annex G**
- IAPMO (cUPC)**



Product Number	Description	Finish Options	
		Polished Chrome	PVD Stainless Steel
		002	075
 4433 100	Pull-out kitchen faucet.		

 Meets the American Disabilities Act Guidelines and **ANSI A117.1** requirements for the physically challenged.