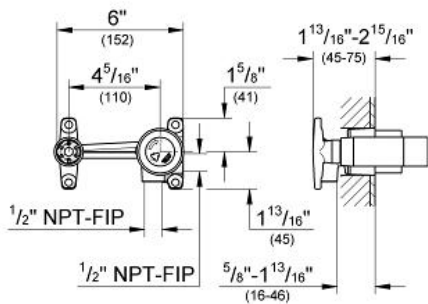


Single-lever mixer 1/2", concealed body

MODEL # 33780000

GROHE CANADA, INC. | 5900 Avebury Road, Mississauga, Ontario, Canada L5R 3M3
 Phone: 905-271-2929 | Fax: 905-271-9494 | info@grohe.ca

Pure Freude
an Wasser



Product Description:
 Single-lever mixer 1/2", concealed body

- Standard Specification:**
- GROHE StarLight chrome finish
 - Cast Brass Construction
 - Max Flow Rate 2.2 gpm at 60 psi (8.3 L/min); 2.5 gpm at 80 psi (9.5 L/min) for hand shower

- Applicable Codes & Standards:**
- Energy Policy Act of 1992
 - NSF 61
 - ASME A112.18.1/CSA B125.1
 - US Federal and State material regulations

Color:
 33780000 no colour

