



# DXV MODULUS™

## WIDESPREAD LAVATORY FAUCET



- Sleek, modern design with fluid and balanced proportions
- Features a decorative base ring with a two tone finish in either Polished Chrome or Brushed Nickel, depending on the Faucet finish selected
- Cast brass spout and side valves
- Ceramic disc valve cartridges
- 8" centers
- Flexible hose connections for 6"-12" installations
- Lead Free—faucet contains  $\leq 0.25\%$  total lead content by weighted volume
- Maximum flow rate: 1.2 gpm (4.5 L/min)

### CODES AND STANDARDS

Meets or Exceeds ASME A112.18.1/ CSA B125.1, NSF 61/Section 9

EPA WaterSense® Certified

Certified Compliant with  $\leq 0.25\%$  Weighted Average Lead Content Regulations

CEC and CALGreen® Compliant

### AVAILABLE FINISHES

Polished Chrome  
Brushed Nickel  
Platinum Nickel  
Matte Black

### FINISH CODE

100  
144  
150  
243

### DESCRIPTION

Widespread Faucet

### PRODUCT NUMBER

D35120802.XXX

ROUGH IN DIAGRAM SHOWN  
ON NEXT PAGE

 CALGreen® is a registered trademark of California Building Standards Commission.

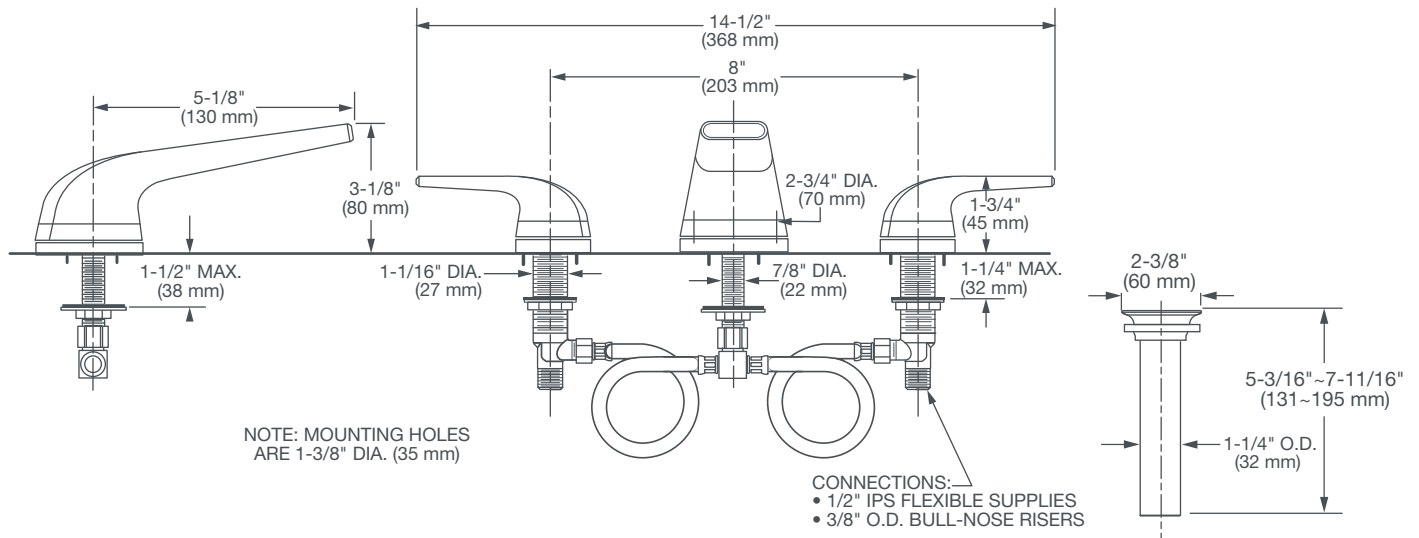


Meets the Americans with Disabilities Act Guidelines and ANSI A117.1 Requirements for the physically challenged.



# DXV MODULUS™

## WIDESPREAD LAVATORY FAUCET



**IMPORTANT:** These measurements are subject to change or cancellation. No responsibility is assumed for use of superseded or voided pages.

PART OF **LIXIL**