

# BLANCO ALTA DUAL CHROME/ SILGRANIT

Item No. 401315



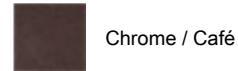
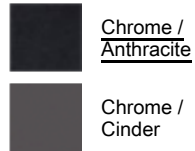
SILGRANIT® Look dual finish

## Product Feature

---



### Available colours

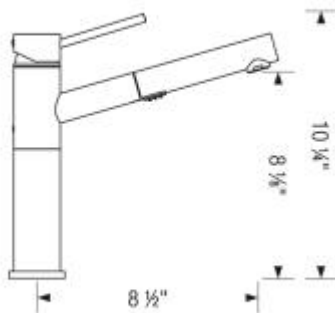


SILGRANIT® Look dual finish

Item No. 401315

## Dimensions

---



Side View

## Scope of supply

---

- 130° swivel for optimal range of motion
- Premium Insulated brass handspray
- Coiled metal sheathed spray hose
- Flexible supply lines and 3/8" compression nut for easy installation

- Solid brass construction
- Ceramic disc cartridge

## Additional View

---



100 Corporation Drive, Brampton, ON L6S 6B5 Tel: 905 494 2400  
Toll Free: 1877 425 2626 Fax: 905 494 2425 Toll Free: 1877 825 2626  
> [www.blancocanada.com/en](http://www.blancocanada.com/en)