

MAAX SUBMITTAL SPECIFICATIONS

OPTIK 6032 F

MODEL NUMBER 105571

DIMENSIONS: 60" x 32" x 23" Acrylic



Vivez l'expérience
MAAX[®]
Enjoy the experience

STANDARD FEATURES

- Sleek 2-piece freestanding combines straight and curvaceous lines
- Inclined backrest, curvaceous inset armrests, deep bathing well
- Ample deck space for faucet installation
- End drain and 4 adjustable leveling legs
- Above-the-Floor Rough (AFR) and F² Drain compatible
- Apron available in standard colors and 5 designer colors
- Air massage system available

OPTIONS

- Apron only as a replacement part for your Optik F 6032 bathtub
- Metal trim kit for Aerofeel
- Positioning template for Optik 6032 freestanding installation
- Positioning template
- F2 Drain - kit for freestanding bathtub installation
- F2 Drain for high-rise construction - kit for freestanding bathtub installation

UNIQUE FEATURES

- 4 Adjustable Leveling Legs
- 1 Tub - 2 Pieces
- Compatible with F2 Drain

SYSTEMS CERTIFICATIONS

MAAX Aerofeel
MAAX products adhere to one or more of the following certifications:



Project :

Contractor :

MAAX Representative : Tel :

Date :

www.maax.com

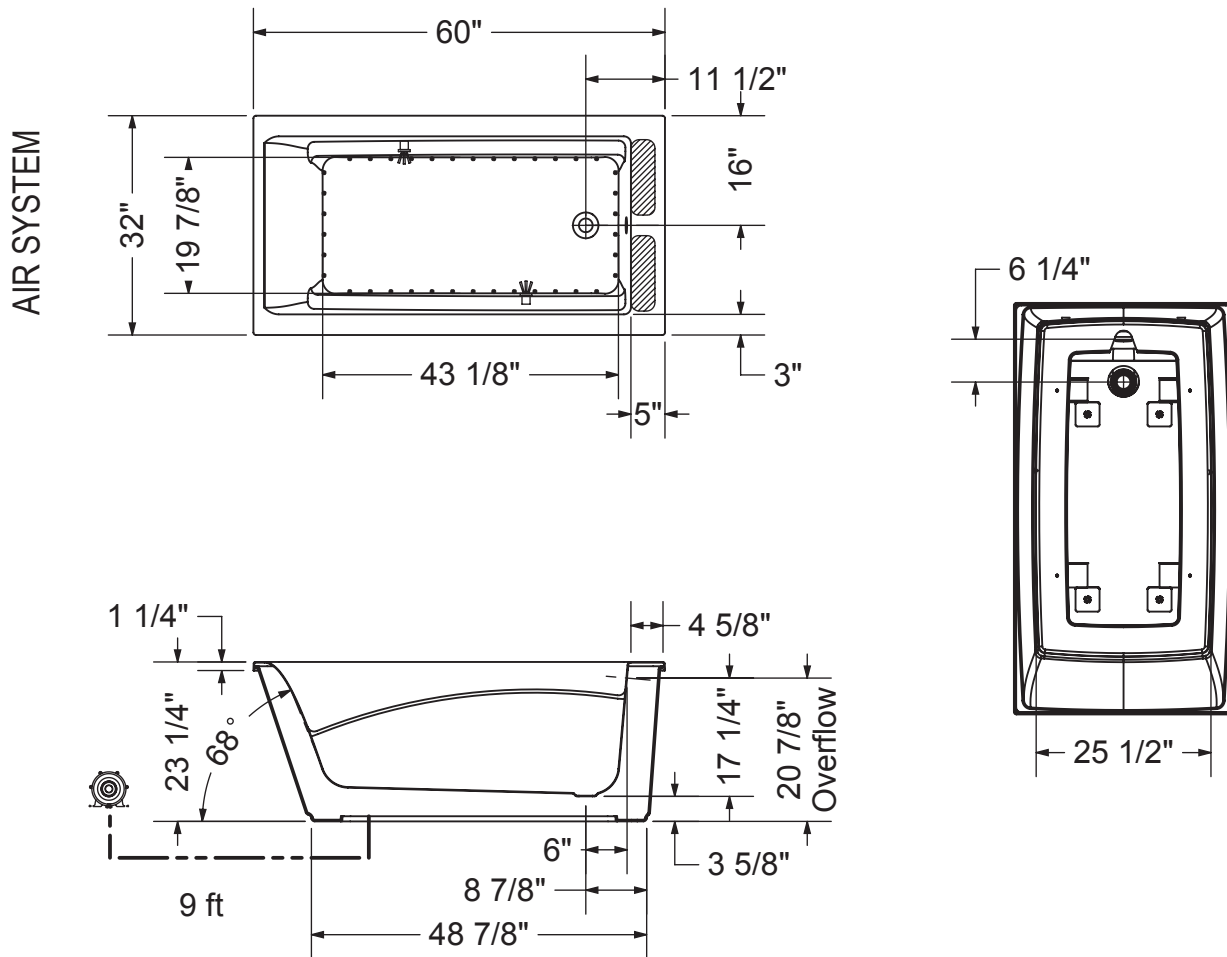
2017-12-12

MAAX SUBMITTAL SPECIFICATIONS

OPTIK 6032 F

MODEL NUMBER 105571

TECHNICAL DRAWINGS



All dimensions are approximate. Structure measurements must be verified against the unit to ensure proper fit.