

Ecostat
Pressure Balance Trim S
 Finish: **Brushed Nickel** Part no. : **04233820**

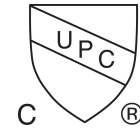


Description

Features

- Temperature and volume control for 1 outlet
- Maximum flow rate (at 3 bar): 20.6 l/min
- Bypass for use with diverter-type tub spouts
- Connection type: base set

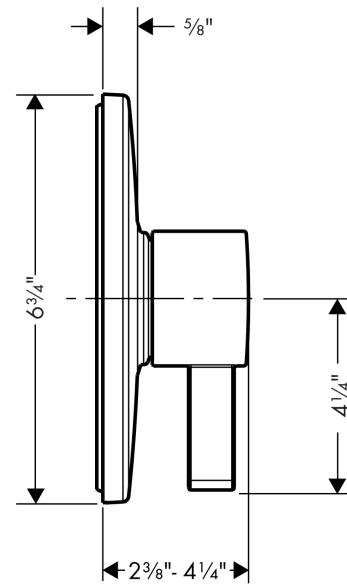
Compliance / Sustainability



Product image



Scale drawing

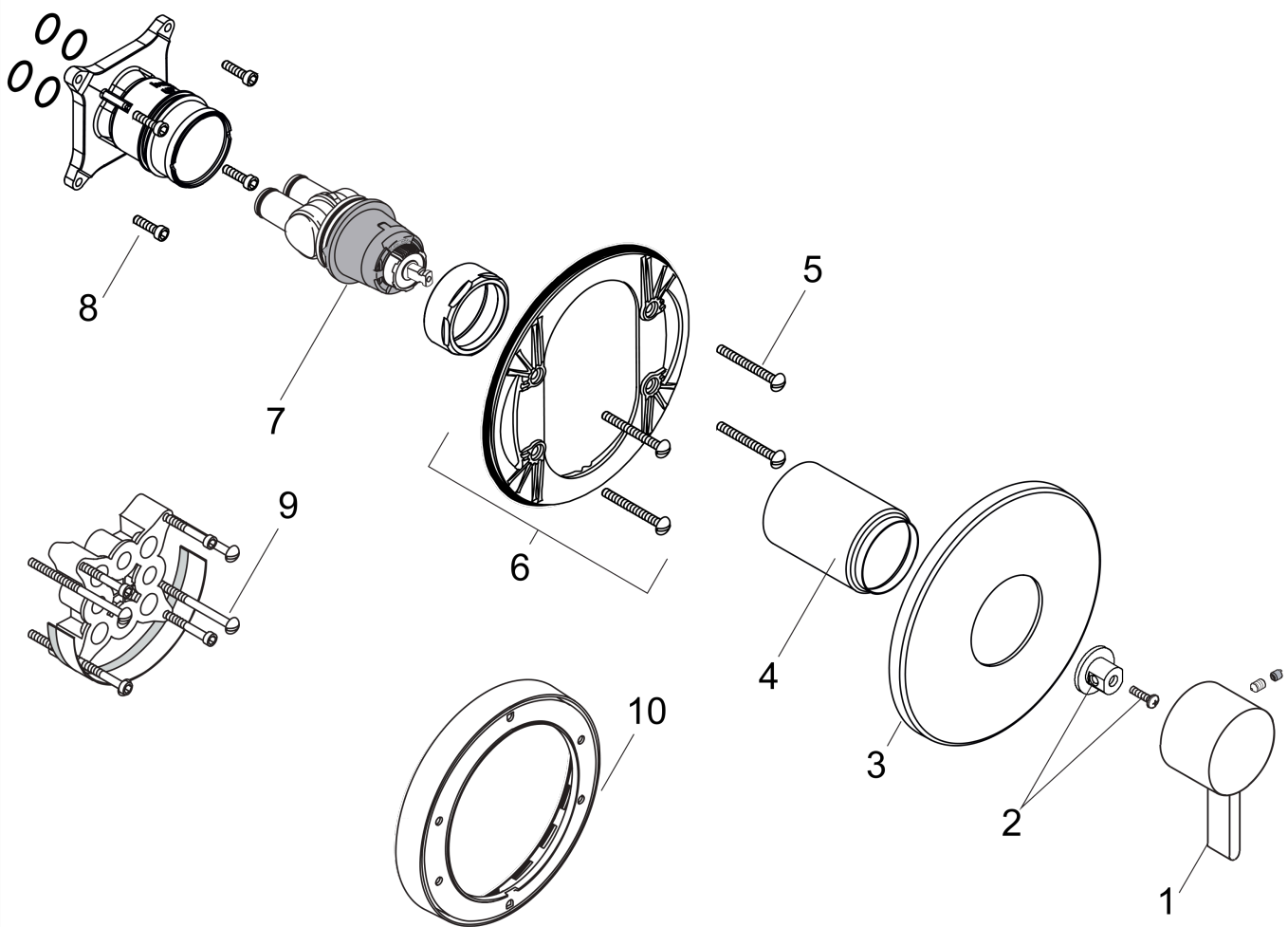


Ecostat
Pressure Balance Trim S
 Finish: **Brushed Nickel** Part no. : **04233820**



Exploded drawing

Year of production: >05/10



**Ecostat
Pressure Balance Trim S**

Finish: **Brushed Nickel** Part no. : **04233820**



Spare parts list

Year of production: >05/10

Pos.	Description	Part no.	PC	PU
1	handle	88763000	0	1
2	adapter for handle	92756000	0	1
3	escutcheon	88760820	0	1
4	sleeve	88765820	0	1
5	set of fixing screws	96454000	0	1
6	sub plate	96447000	0	1
7	cartridge, assy	88727000	0	1
8	set of screws	96525000	0	1
9	extension 25 mm	13595000	0	1
10	extension 22 mm (Ø 170 mm)	13596820	0	1