

AXOR Starck

Axor Starck 2-Spray HighArc Kitchen Faucet, Pull-Down

Finishes : **chrome** Part no. : **10821001**



Description

Features

- Swivel range 150°
- Laminar and needle spray
- Toggle spray diverter
- MagFit magnetic sprayhead docking
- Single-hole installation
- Flow: 1.75 GPM
- Joystick ceramic cartridge
- 3/8" hoses
- Integrated double backflow prevention

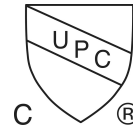
Item details

List Price \$ 790.00

Technology



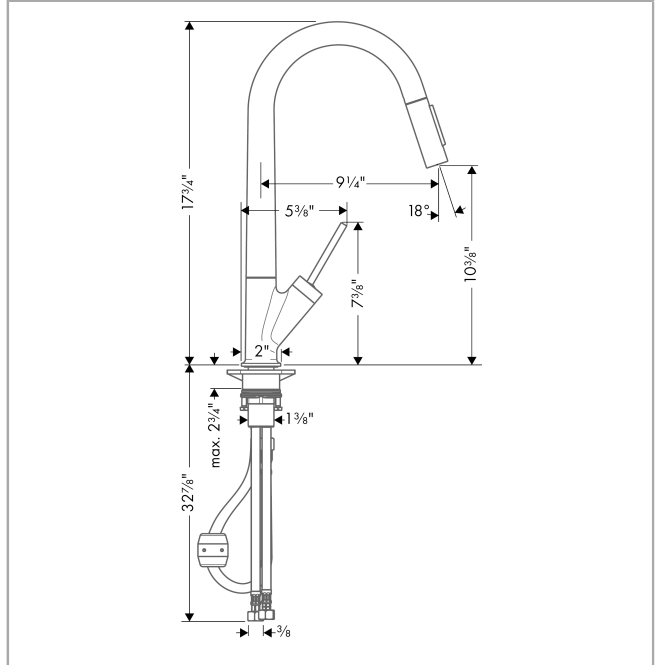
Compliance



Product image



Scale drawing

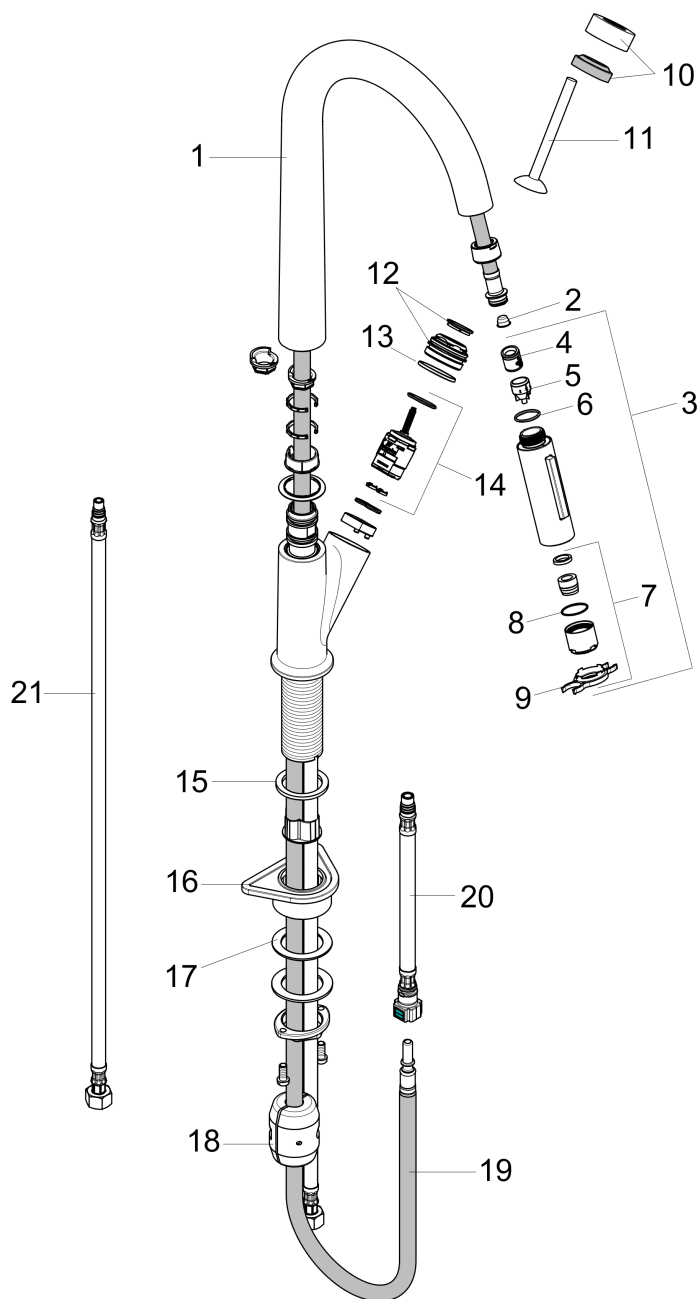


AXOR Starck
Axor Starck 2-Spray HighArc Kitchen Faucet, Pull-Down
Finishes : **chrome** Part no. : **10821001**



Exploded drawing

Year of production: >06/12



AXOR Starck
Axor Starck 2-Spray HighArc Kitchen Faucet, Pull-Down

 Finishes : **chrome** Part no. : **10821001**

Spare parts list

Year of production: >06/12

Pos.	Description	Part no.	Price	PU
1	spout cpl.	95907000	-	1
2	filter	97735000	-	1
3	handspray	95908001	-	1
4	non return valve	95340000	-	1
5	set of non return valves DW 15	97350000	-	1
6	O-ring 18x1,5	98231000	-	1
7	aerator laminar M22x1 (15 l/min)	95909000	-	1
8	O-ring 20x1	98140000	-	1
9	service tool	95910000	-	1
10	flange	97155000	-	1
11	handle	95893000	-	1
12	nut	97157000	-	1
13	O-Ring 30x2	98186000	-	1
14	cartridge, assy	96339000	-	1
15	flat seal	98749000	-	1
16	support	97523000	-	1
17	fixing set (Ø 34)	95049000	-	1
18	weight	92500000	-	1
19	hose 1,50 m	88624000	-	1
20	connection hose 600 mm M10x1	95561000	-	1
21	connection hose 35½" M8x0,75 3/8"	96316001	-	1