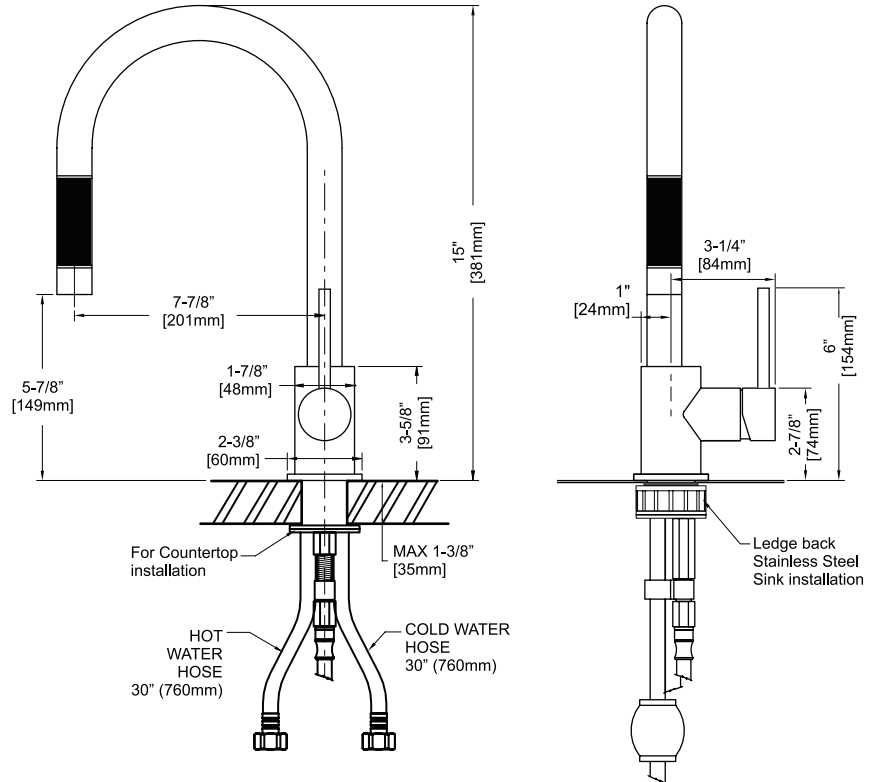




4717 300 Shown

MODEL NUMBER:

4717 300 Single Control with Pull-Down Head



GENERAL DESCRIPTION:

Forged brass body with brass swivel spout and metal lever handle. Pull-down spray with 78-3/4" (2000mm) Long Nylon Spray Hose. Washerless 35mm ceramic disc valve cartridge. Complete with integral check valves. 30" (760mm) Stainless Steel Braided flexible supply hoses with 3/8" compression connectors. 1.84 gpm/8.3Lmin. maximum flow rate.

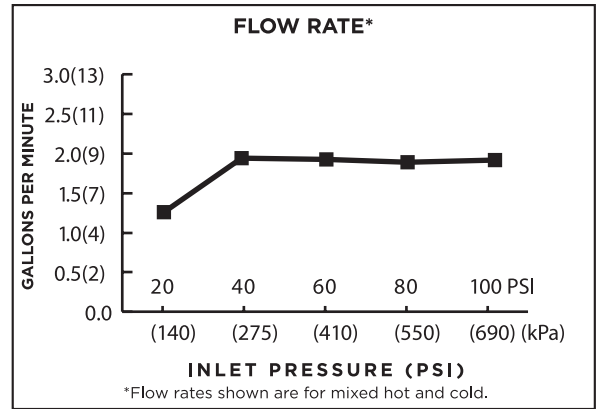
PRODUCT FEATURES:

- Ceramic Disc Valve Cartridge:** Assures smooth, precise valve control and a lifetime of drip-free, maintenance-free performance.
- Brass Construction:** Highest quality materials for durability & long life.
- Memory Position Valving:** Allows user to turn valve on and off at preferred temperature setting without readjusting handle position each time.
- Low Lead:** Meets NSF Standard 61/Section 9 & Prop 65 lead requirements.
- Pull-down Spray:** 78-3/4" (2000mm) Long Nylon spray hose.
- Integral Check Valves:** Prevents back flow.
- Choice of Finishes:** Choice of Polished Chrome or Stainless Steel (PVD).

CODES AND STANDARDS

These products meet or exceed the following codes and standards:

- NSF 61 / Section 9**
- IAPMO (cUPC)**
- CSA B651-12 BARRIER FREE**



Product Number	Description	Finish Options	
		Polished Chrome	PVD Stainless Steel
		002	075
4717 300	Single Control with Pull-down spray head		

Meets the Barrier Free CSA B651-12.