

Talis E
Single-Hole Faucet 110 with Pop-Up Drain, 1.2 GPM
 Finish: **matte black** Part no. : **71710671**



Description

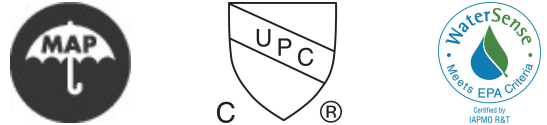
Features

- Handle design: lever handle
- Spray pattern: Aerated spray
- Maximum flow rate (at 3 bar): 4.5 l/min
- Ceramic cartridge
- Pop-up drain G 1

Technology



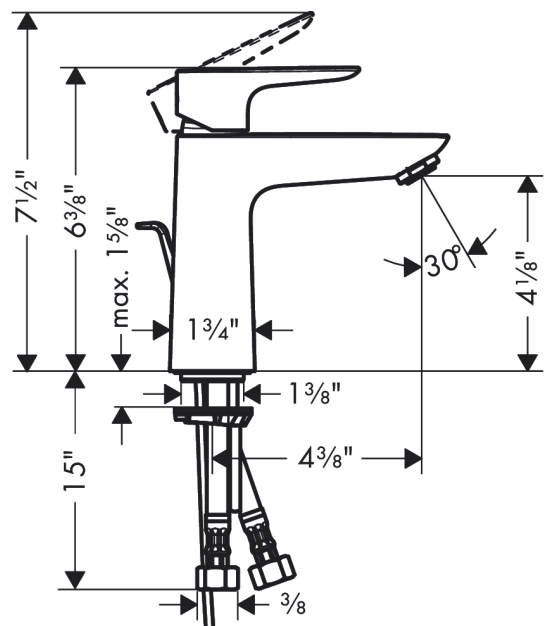
Compliance / Sustainability



Product image



Scale drawing

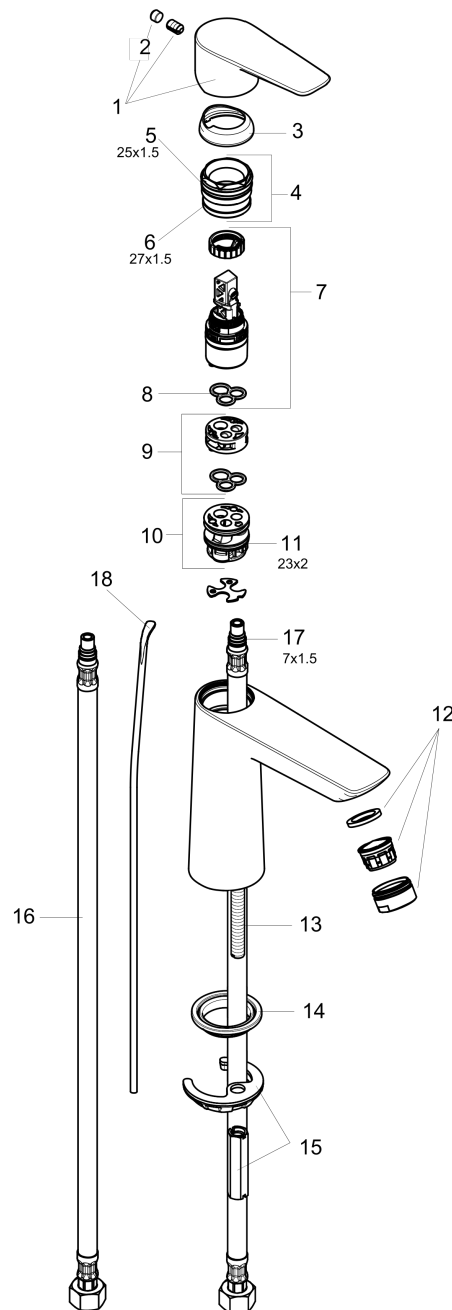


Talis E
Single-Hole Faucet 110 with Pop-Up Drain, 1.2 GPM
 Finish: **matte black** Part no. : **71710671**



Exploded drawing

Year of production: >07/20



Talis E
Single-Hole Faucet 110 with Pop-Up Drain, 1.2 GPM
 Finish: **matte black** Part no. : **71710671**



Spare parts list

Year of production: >07/20

| Pos. | Description | Part no. | PC | PU |
|------|-----------------------------------|----------|----|----|
| 1 | handle | 92687670 | 0 | 1 |
| 2 | screw cover | 95704000 | 0 | 1 |
| 3 | flange | 92625670 | 0 | 1 |
| 4 | nut | 92689000 | 0 | 1 |
| 5 | O-ring 25x1,5 | 98146000 | 0 | 1 |
| 6 | O-ring 27x1,5 | 92527000 | 0 | 1 |
| 7 | cartridge, assy | 95973001 | 0 | 1 |
| 8 | seal | 98865000 | 0 | 1 |
| 9 | adapter for cartridge | 92628000 | 0 | 1 |
| 10 | adapter for cartridge | 98866000 | 0 | 1 |
| 11 | O-ring 23x2 | 98398000 | 0 | 1 |
| 12 | aerator M24x1 (4,5 l/min) | 92877670 | 0 | 1 |
| 13 | screw M8 x 68 | 97736000 | 0 | 1 |
| 14 | seal Ø 42 | 98722000 | 0 | 1 |
| 15 | fixing set | 96016000 | 0 | 1 |
| 16 | connection hose 18½" M8x0,75 3/8" | 96321001 | 0 | 1 |
| 17 | O-ring 7x1,5 | 98422000 | 0 | 1 |
| 18 | pull rod | 96657670 | 0 | 1 |