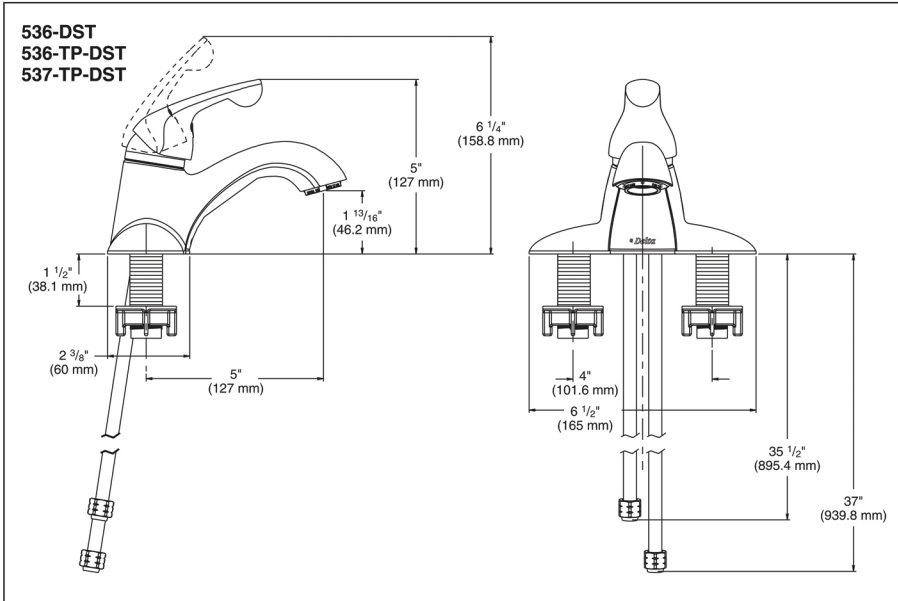


Submitted Model No.: _____

Specific Features: _____



LAVATORY FAUCETS

- Classic Series
- Diamond™ Seal Technology
- Single Handle Deck Mount
- 3 Hole Sink Applications
- 4" Centerset

STANDARD SPECIFICATIONS

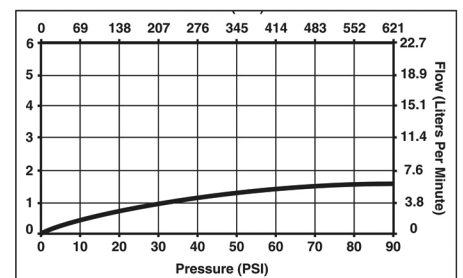
- 4" (102 mm) centerset.
- 5" (127 mm) long spout.
- Lever handle. Control mechanism is the diamond embedded ceramic disc cartridge.
- Control handle shall return to neutral position when valve is turned off.
- 3/8" OD. straight, staggered pex supply tubes – 35" (889 mm) and 36" (914 mm) long.
- Models have a maximum 1.5 gpm flowrate @ 60 PSI.

WARRANTY

- Lifetime Faucet and Finish Limited Warranty to the original consumer purchaser to be free from defects in material and workmanship.
- 5 Year Limited Warranty for usage in all industrial, commercial and business applications.

COMPLIES WITH:

- CSA Certified
- Complies to ASME A112.18.1/CSA B125.1
- ADA Compliant and meets Handicapped Accessibility Standard ICC/ANSI A117.1/ADA of less than 5 lbs. operating force
- Verified compliant with 0.25% weighted average Pb content regulations
- EPA WaterSense®



55 E. 111th Street, Indianapolis, Indiana 46280
 395 Matheson Blvd. E., Mississauga, ON L4Z 2H2
 © 2013 Masco Corporation of Indiana

Delta reserves the right (1) to make changes in specifications and materials, and (2) to change or discontinue models, both without notice or obligation. Dimensions are for reference only. See current full-line price book or www.specselect.com for finish options and product availability.

DSP-L-536-DST Rev. C