

### Specification Submittal Data / Panasonic Ventilation Fan

3" or 4" Duct

**Description:**

Ventilating fan shall be low some ceiling mount rated for continuous operation. Fan shall be ENERGY STAR<sup>®</sup> rated and certified by the Home Ventilating Institute (HVI). Evaluated by the Underwriters Laboratories and conform to both UL and cUL standards.

**Motor/Blower:**

- Four-pole totally enclosed condenser AC motor rated for continuous use.
- Fan ventilation rates shall be manually adjustable for 80 or 110 CFM.
- Power Rating shall be 120 volts and 60 Hz.
- Fan shall be UL and cUL listed for tub/shower enclosure when GFCI protected.
- Motor equipped with thermal cutoff fuse.
- Removable, permanently lubricated, plug-in motor.

**Housing:**

- Rust proof epoxy and polyester resin coating, 26 gauge galvanized steel body.
- 4" diameter duct with optional 3" adapter included.
- Built in backdraft damper.
- Articulating and expandable extension bracket up to 24".

**Grille:**

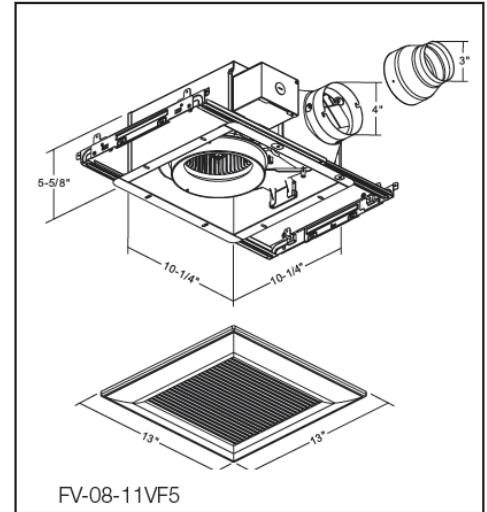
- Attractive design using Poly Pro material.
- Attaches directly to housing with torsion springs.

**Warranty:**

- ALL Parts: For period of 3 years from the date of the original purchase.

**Architectural Specifications:**

Ventilation fan shall be ceiling mount, ENERGY STAR<sup>®</sup> rated with built-in speed selector. Select from 80/110 CFM and no more than 0.3/0.8 sone as certified by the Home Ventilating Institute (HVI) at 0.1 static pressure in inches water gauge (w.g.) and with no less than 73/104 CFM and no more than 0.6/1.2 sone as certified by HVI at 0.25 w.g. Power Consumption shall be no greater than 21.1/26.5 watts at 0.1 w.g. and 20.7/26.4 watts at 0.25 w.g. ENERGY STAR<sup>®</sup> rated with efficiency of no less than 3.8/4.2 CFM/watt at 0.1 w.g. and 3.5/4.0 CFM/watt at 0.25 w.g. Duct diameter shall be no less than 4" (3" if using the included duct adapter). The motor shall be totally enclosed, four pole condenser type engineered to run continuously. Power rating shall be 120v/60Hz. Housing material shall be no less than 26 gauge galvanized steel with rust proof epoxy and polyester resin coating. Fan shall be UL and cUL listed for tub/shower enclosure when GFCI protected. Fan can be used to comply with ASHRAE 62.2, LEED, ENERGY STAR<sup>®</sup> IAP, EarthCraft, California Title-24, and WA Ventilation Code.



See Following Page for Performance Curves

Specifications: <b>WhisperFit<sup>®</sup> EZ</b> FV-08-11VF5		110 CFM Setting				80 CFM Setting			
		4" Duct		3" Duct		4" Duct		3" Duct	
<b>Ventilation Fan Characteristics</b> (HVI Certified Data)	Static Pressure in inches w.g.	0.1	0.25	0.1	0.25	0.1	0.25	0.1	0.25
	Air Volume (CFM)	110	104	100	88	80	73	70	61
	Noise (sones)	0.8	1.2	1.3	1.5	0.3	0.6	0.5	1.1
	Power Consumption (Watts)	26.5	26.4	26.4	25.9	21.1	20.7	20.9	20.3
	Energy Efficiency (CFM/Watt)	4.2	4.0	3.9	3.5	3.8	3.5	3.5	3.2
	Speed (RPM)	961	1179	1215	1369	848	1123	1005	1236
	Current (amps)	0.23	0.23	0.22	0.22	0.18	0.17	0.17	0.17
	MAX. Current (amps)	0.23		0.23		0.18		0.18	
	Power Rating (V/Hz)	120/60		120/60		120/60		120/60	
	ENERGY STAR rated	YES		YES		YES		YES	

0.25=Installed Performance

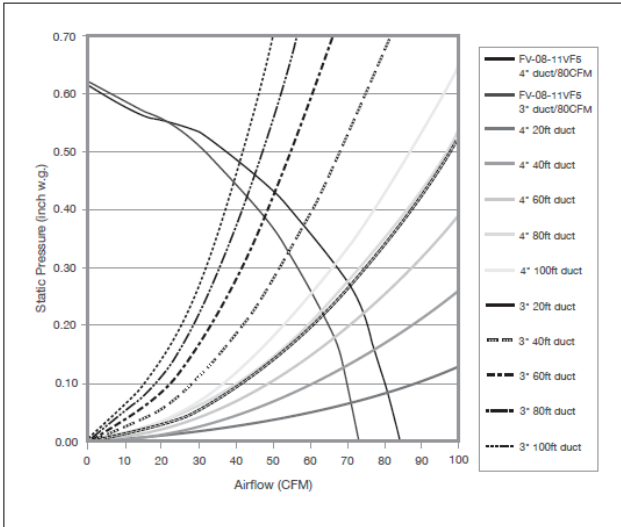
For complete Installation Instructions visit [www.panasonic.ca](http://www.panasonic.ca)

Model	Quantity	Comments	Project:
			Location:
			Architect:
			Engineer:
			Contractor:
			Submitted by:
			Date:

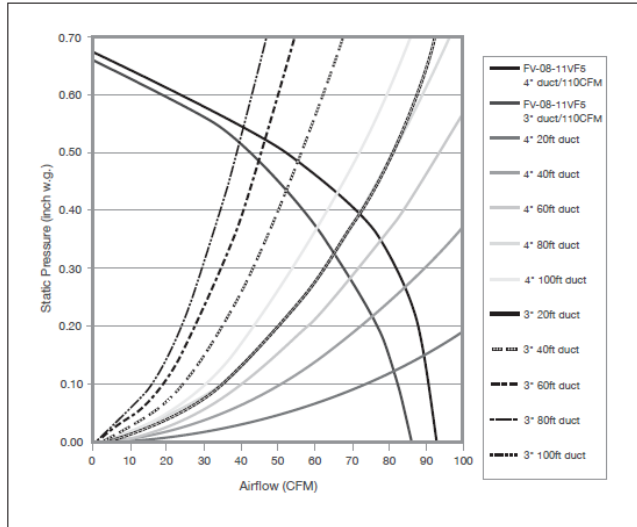
Panasonic Canada Inc.  
5770 Ambler Drive  
Mississauga, ON L4W 2T3  
1-800-669-5165  
[www.panasonic.ca](http://www.panasonic.ca)



Performance Curve FV-08-11VF5 - 80 CFM



Performance Curve FV-08-11VF5 - 110 CFM



Model	Quantity	Comments	Project:
			Location:
			Architect:
			Engineer:
			Contractor:
			Submitted by:
			Date:

Panasonic Canada Inc.  
5770 Ambler Drive  
Mississauga, ON L4W 2T3  
1-800-669-5165  
www.panasonic.ca

