

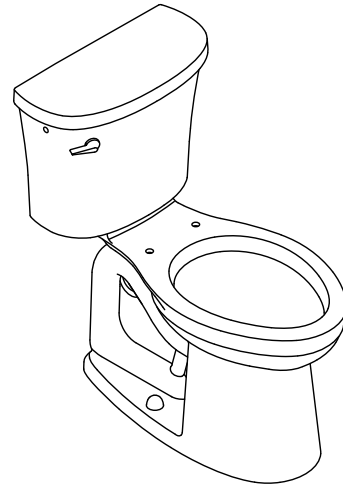


Kingston™ Comfort Height®

Two-piece elongated 1.28 gpf chair height toilet
K-25077-T

Features

- Ideal for commercial installations.
- Two-piece design.
- Elongated bowl offers added room and comfort.
- 1.28 gpf (4.8 lpf).
- Durable metal left-hand Polished Chrome trip lever.
- 2-1/8" (54 mm) fully glazed trapway.
- Tank cover locks included.
- Easy-to-service silicone seal.
- Sanitary guard where bowl and tank meet for ease of cleaning.
- Encapsulated bolts prevent rust and corrosion.
- Combination consists of the K-25076 bowl and K-25100-T tank.



Technology

- Single-flush gravity uses the force of gravity and a precision-engineered tank, bowl, and trapway to create a strong siphon during flushing.
- Class Five® flushing technology offers virtually plug-free performance and rinsing power for a clean bowl.
- Class Five® canister allows water to flow out of the tank from all sides (360 degrees), increasing the power and effectiveness of the flush.
- Flush valve's 3:2 ratio harnesses the natural force of gravity and optimizes flush performance.
- Durable canister design has 90% less exposed seal material than a 3" flapper for leak-free performance.

Installation

- Three-bolt quick-connect installation.
- Standard 12" (305 mm) rough-in.
- Seat and supply line sold separately.

Recommended Products/Accessories

- K-7637 Angle Supply with Stop (single)
- K-20110 Brevia™ Quiet-Close™ Elongated Toilet Seat
- K-4650-A Lustra™ Elongated toilet seat with antimicrobial agent
- K-5420 Low-Profile Bolt Caps
- K-23726 Drain treatment

Included Components

Product consists of:

- 25076
- 25100-T

Additional Components:

- Bolt cap accessory pack



ADA **CSA B651** **OBC**

Codes/Standards

- ASME A112.19.2/CSA B45.1
- DOE - Energy Policy Act 1992
- EPA WaterSense®
- California Energy Commission (CEC)
- ADA
- ICC/ANSI A117.1
- CSA B651
- OBC

KOHLER® Toilets and Seats Limited Warranty

See website for detailed warranty information.

Available Colors/Finishes

Color tiles intended for reference only.

Color Code Description

| | | |
|--|---|-------|
| | 0 | White |
|--|---|-------|

1-800-4KOHLER (1-800-456-4537)

Kohler Co. reserves the right to make revisions without notice to product specifications.

For the most current Specification Sheet, go to www.kohler.com.

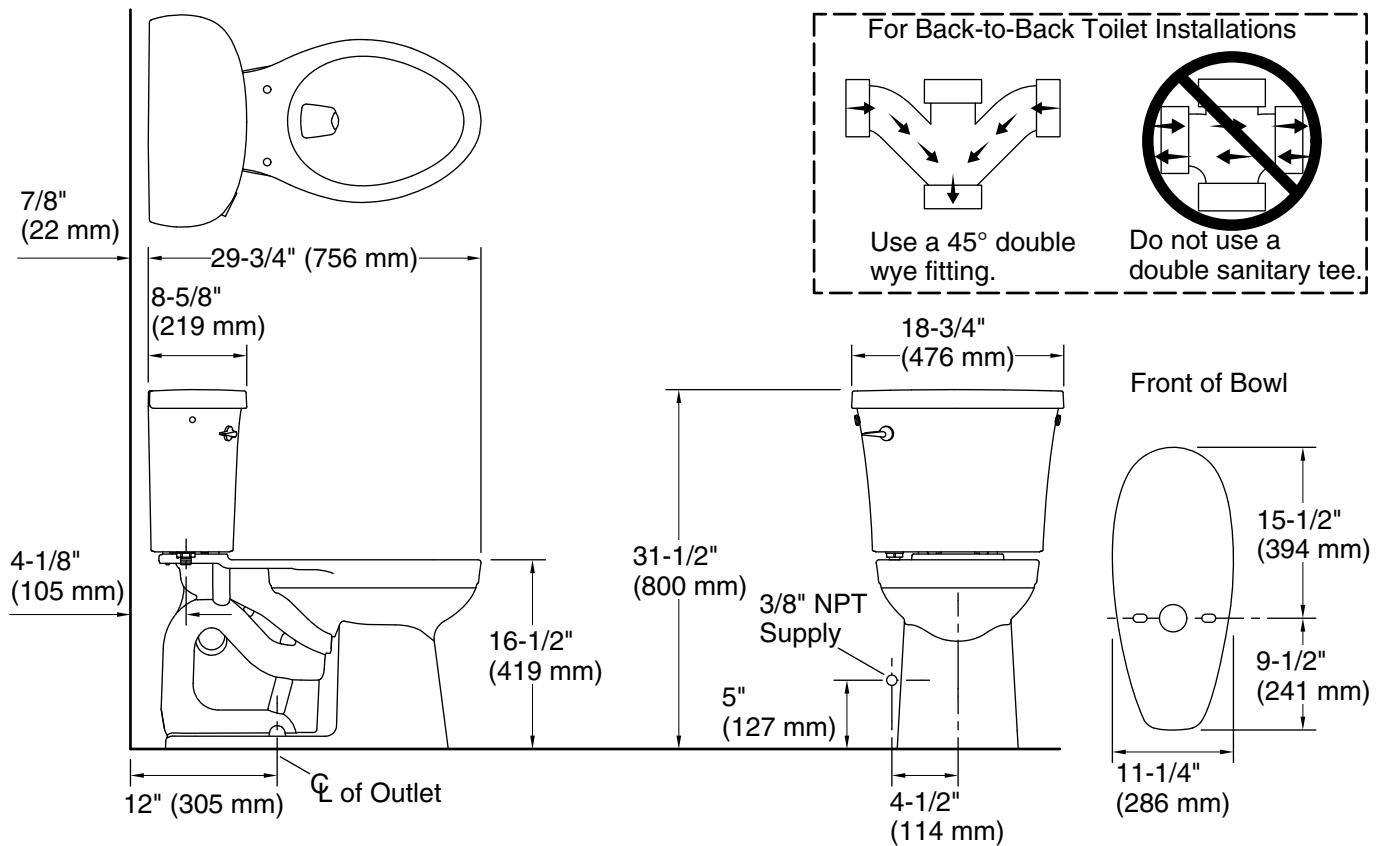
7-19-2022 19:59 - US/CA

THE BOLD LOOK
OF **KOHLER**®



Kingston™ Comfort Height®

Two-piece elongated 1.28 gpf chair height toilet
K-25077-T



Technical Information

All product dimensions are nominal.

| | |
|-----------------------|--------------------------------------|
| Toilet type: | Floor-mount |
| Waste Outlet: | Floor |
| Bowl shape: | Elongated |
| Flush type: | Gravity siphon jet |
| Trap passageway: | 2-1/8" (54 mm) |
| Water Consumption | |
| Full: | 1.28 gpf (4.8 lpf) |
| Water surface size: | 10-5/8" x 6-15/16" (269 mm x 176 mm) |
| Rim to water surface: | 5-5/8" (143 mm) |
| Rough-in: | 12" (305 mm) |
| Seat-mounting holes: | 5-1/2" (140 mm) |

Notes

Install this product according to the installation instructions.

For back-to-back toilet installations: Use only a 45° double wye fitting.

ADA, OBC, CSA B651 compliant when installed to the specific requirements of these regulations.

Plumbing codes may require elongated toilets and elongated, open-front seats in public bathrooms.

Accessibility standards may require controls to be located on the open side of the toilet.