

Self-Rimming Lavatory

FEATURES

- 20-3/8" x 17-3/4"
- Vitreous china
- ADA compliant
- Concealed front overflow
- Complete with installation template and sealing compound

MODELS

- LT401
Lavatory only, with single hole faucet center
- LT401.4
Lavatory only with 4" faucet centers
- LT401.8
Lavatory only with 8" faucet centers

COMPONENTS

- THP5067#CP (Sold Separately)
Grid drain 1-1/2" opening with 4" tail piece

COLORS/FINISHES

- Standard
#01 Cotton

CODES/STANDARDS

- Meets and exceeds ASME A112.19.2/CSA B45.1
- Certifications: IAPMO(cUPC), State of Massachusetts, City of Los Angeles, and others
- ADA compliant
- Code compliance: UPC, IPC, NSPC, NPC Canada, and others



PRODUCT SPECIFICATION

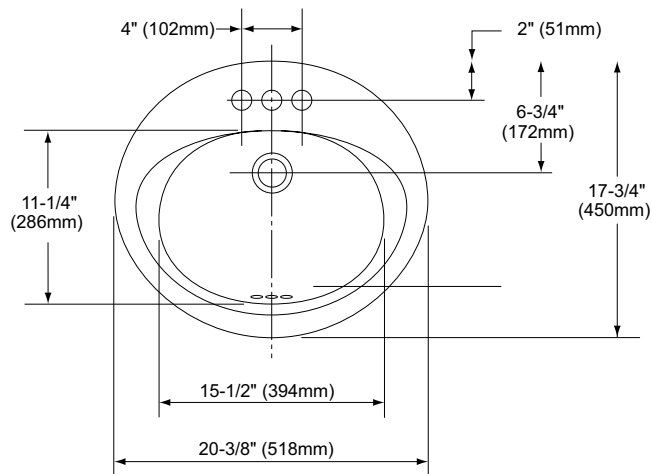
The self-rimming lavatory shall be made of vitreous china. Lavatory shall be 20-3/8" x 17-3/4". Product shall be with front overflow and lavatory shall include mounting assembly and be ADA compliant. Lavatory shall be TOTO Model LT501_____.

LT401

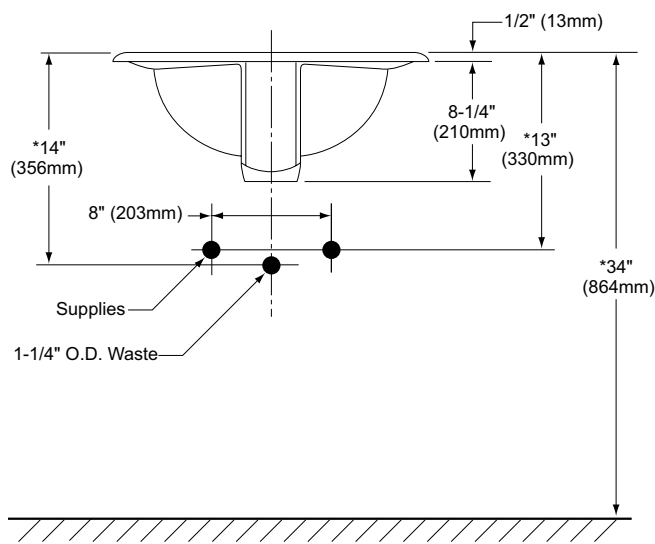
Self-Rimming Lavatory

SPECIFICATIONS

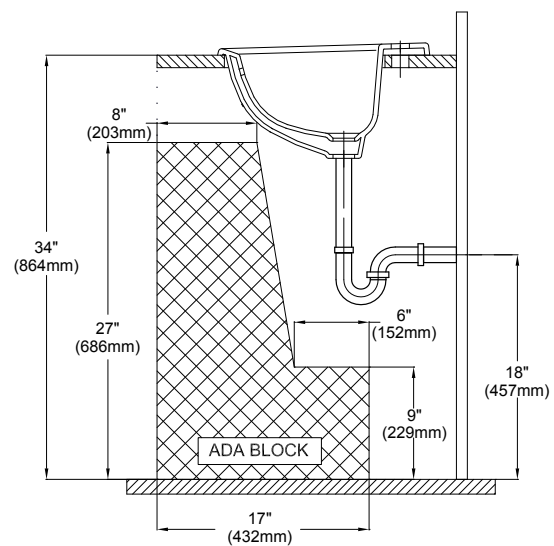
- Waste 1-1/4" O.D.
- Size 20-3/8"W x 17-3/4"D
- Basin 15-1/2"W x 11"D
- Warranty One Year Limited Warranty
- Material Vitreous china
- Shipping Weight LT401/LT401.4/LT401.8
21-1/2 lbs.
- Shipping Dimensions LT401/LT401.4/LT401.8
21-1/4"L x 18-1/4"W x
9-1/2"H



ADA Compliance Check



*Suggested dimension



TOTO

These dimensions and specifications are subject to change without notice