



Food Waste Disposers

STANDARD SERIES

Badger® 5



Submittal Sheet

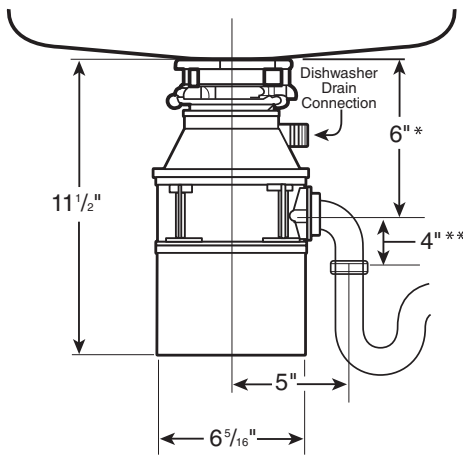
This popular model offers the following features and benefits:

- 1/2 Horsepower Heavy Duty Motor (Quiet Dura-Drive® Induction Motor)
- *We Come To You*® 3-Year In-Home Limited Warranty
- Rugged Galvanized Steel Construction (For Disposer Durability)
- Space-Saving Compact Design
- Available with or without a factory installed power cord.

Specifications

| | |
|------------------------------|---|
| Type of Feed | Continuous |
| On/Off Control | Wall Switch |
| Motor | Single Phase |
| HP | 1/2 |
| Volts | 120 |
| HZ | 60 |
| RPM | 1725 |
| Amp. (Avg. Load) | 6.3 |
| Time Rating | Intermittent |
| Lubrication | Permanently Lubricated Upper & Lower Bearings |
| Shipping Weight (Approx.) | 13 lbs. 10 oz. (without cord) 13 lbs. 14 oz. (with cord) |
| Unit Finish | Condor Grey |
| Overall Height | 11-1/2" |
| Grind Chamber Capacity | 26 oz. |
| Motor Protection | Manual Reset Overload |
| Average Water Usage | Approx. 1 Gallon per Person Per Day |
| Average Electrical Usage | 3-4 KWh per Year |
| Drain Connection | 1-1/2" Cushioned Slip Joint |
| Dishwasher Drain Connection | Yes |
| Factory Installed Power Cord | Available with or without |

Dimensions



Sample Specification

Food Waste Disposer(s) shall be InSinkErator Badger® 5, continuous feed, with 1/2 H.P. motor, galvanized steel grinding elements with two stainless steel 360° swivel lugs. Self-service wrench.

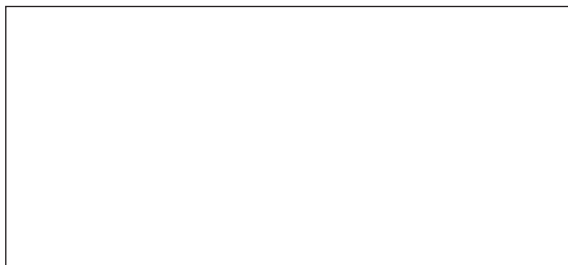
Available with or without a factory installed power cord.

Warranty:
3-Year parts and in-home service.

* The complete InSinkErator warranty is included in the Care & Use Booklet packed with each unit.

* Distance from bottom of sink to center line of disposer outlet. Add 1/2" when stainless steel sinks are used.
** Length of tailpipe from center line of disposer outlet to end of tailpipe. NOTE: Plumb waste line to prevent standing water in disposer motor housing.

Job Specifications



Food waste is roughly 80% water. By using your disposal regularly, you can help divert food waste from landfills and reduce greenhouse gas emissions. Make sustainability a family affair by using your disposal. After all, the smallest changes can make the biggest impact.



The Emerson logo is a trademark and service mark of Emerson Electric Co. The mounting collar configuration is a trademark of Emerson Electric Co.

InSinkErator may make improvements and/or changes in the specifications at any time, in its sole discretion, without notice or obligation and further reserves the right to change or discontinue models.

1-800-558-5700
www.insinkerator.com