

### Features

- Two lever handles offer separate control of hot and cold water.
- 8-5/8" (219 mm) spout reach.
- 1.2 gpm (4.5 lpm) maximum flow rate at 60 psi (4.14 bar).
- Fluid design lines for ease of cleaning.
- Coordinates with other products in the Parallel collection.

### Material

- Solid-brass construction for durability and reliability.
- KOHLER finishes resist corrosion and tarnishing.

### Installation

- Wall-mount.

### Required Products/Accessories

For wall-mount installation

K-410-K Wall-mount Valve

### Adapters, Rough-in and Extension Kits

1349542

Range: 2-1/2" (64 mm) -  
3-1/2" (89 mm)

### Recommended Products/Accessories

K-23726 Drain treatment

K-23723 Faucet cleaner

### Optional Products/Accessories

K-7107 Decorative Drain

K-7108 Decorative Drain

K-7124 Pop-Up Clicker Drain

K-7124-A Pop-Up Clicker Drain

K-7129 Drain

K-7129-A Drain

K-8801 Sink drain and strainer with tailpiece

1008176 Handle Kit - Deep Rough-In



ADA

CSA B651

OBC

### Codes/Standards

ASME A112.18.1/CSA B125.1

NSF/ANSI 61

NSF/ANSI 372

All applicable US Federal and State material regulations

DOE - Energy Policy Act 1992

EPA WaterSense®

California Energy Commission (CEC)

ADA

ICC/ANSI A117.1

CSA B651

OBC



### KOHLER® Faucet Lifetime Limited Warranty

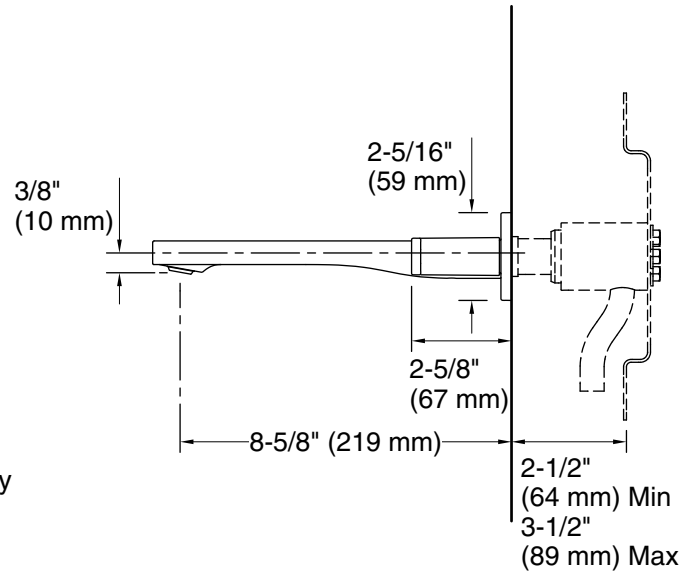
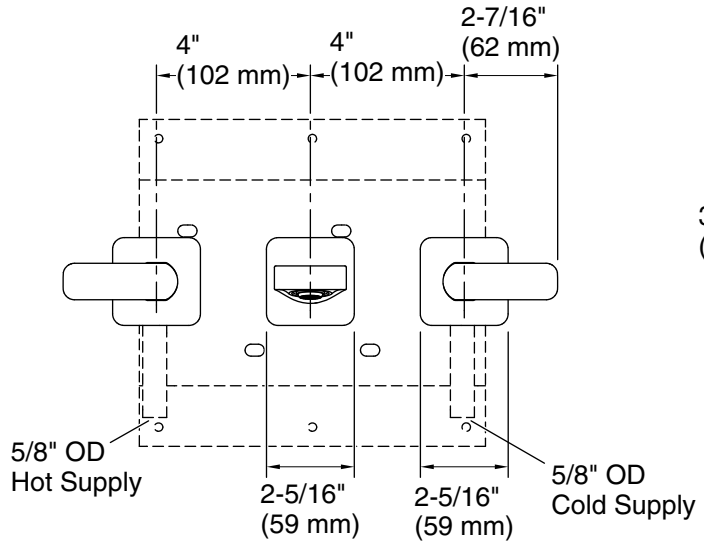
See website for detailed warranty information.

### Available Colors/Finishes

*Color tiles intended for reference only.*

#### Color Code Description

	CP	Polished Chrome
	BN	Vibrant® Brushed Nickel
	BL	Matte Black



### Technical Information

All product dimensions are nominal.

#### Faucet:

Flow rate: 2 gal/min (7.6 l/min)

Pressure: 60 psi (4.1 bar)

Drain included: No

### Notes

Install this product according to the installation instructions.

ADA, OBC, CSA B651 compliant when installed to the specific requirements of these regulations.