

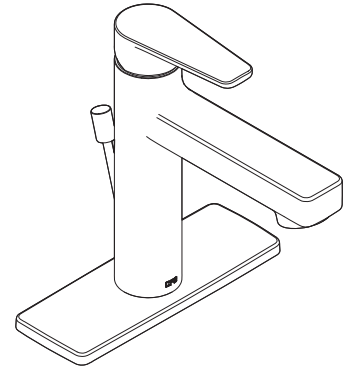
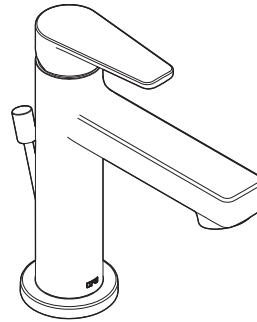
CFG

SLATE™

Models:
40051 series (1/2 IPS) with waste



NSF UPC®



One Handle Lavatory Metal With Waste

DESCRIPTION

- Metal construction with various finishes identified by suffix
- Includes 50/50 pop-up waste assembly where noted.
- Metal supply lines with 1/2" IPS connections where noted or flexible supply lines with 3/8" compression fittings where noted
- Six (6) individual boxes per master carton

OPERATION

- Pivot action, lever-style handle
- Temperature control by 90° arc of handle travel
- Will operate with less than 5 lbs. of torque
- No grasping motion required to operate the faucet handle
- Features red/blue hot/cold temperature indicators

FLOW

- Aerator limited to 1.5 gpm max (5.7 L/min) at 60 psi

CARTRIDGE

- Ceramic disc technology
- Non-metallic, non-ferrous, and plastic material
- Single body construction for easy replacement

STANDARDS

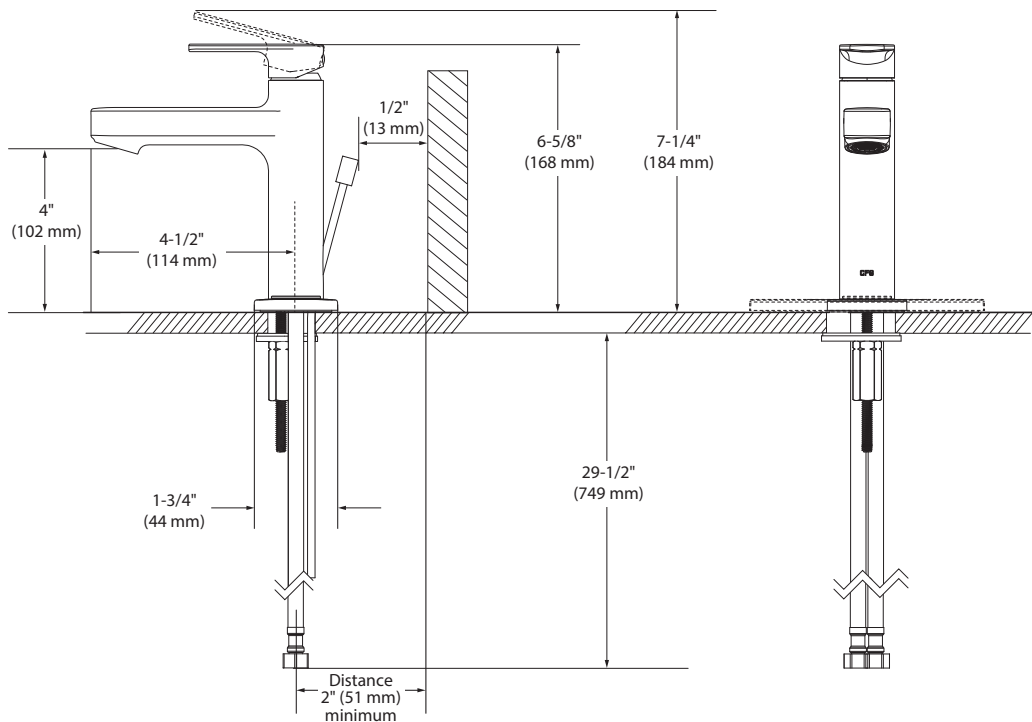
- Third party certified to WaterSense®, ASME A112.18.1/ CSA B-125.1, and all applicable requirements referenced therein including NSF 61/9 & 372
- Complies with California Proposition 65 and with the Federal Safe Drinking Water Act
- **ADA** for lever handle

WARRANTY – RESIDENTIAL, COMMERCIAL

- Ten year limited warranty against defects in materials and manufacturing workmanship
- Refer to the installation instructions enclosed with each CFG product or call 1-888-450-5522 for complete warranty information

NOTE:

- This faucet is designed to be installed through 1 hole, 1-1/8" (29mm) minimum diameter, or 3 holes, 1-1/8" (29mm) minimum diameter, 4" centers



CRITICAL DIMENSIONS

(DO NOT SCALE)