

**Metris**  
**Single-Hole Faucet 200 with Pop-Up Drain, 1.2 GPM**  
 Finish: **Chrome** Part no. : **31183001**



**Description**

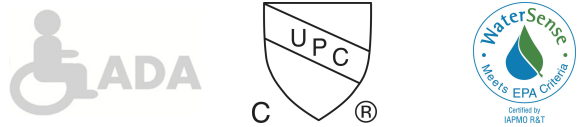
**Features**

- Spout height: 8 Inch
- Handle design: lever handle
- Spray pattern: Aerated spray
- Maximum flow rate (at 3 bar): 4.5 l/min
- Ceramic cartridge
- Pop-up drain G 1

**Technology**



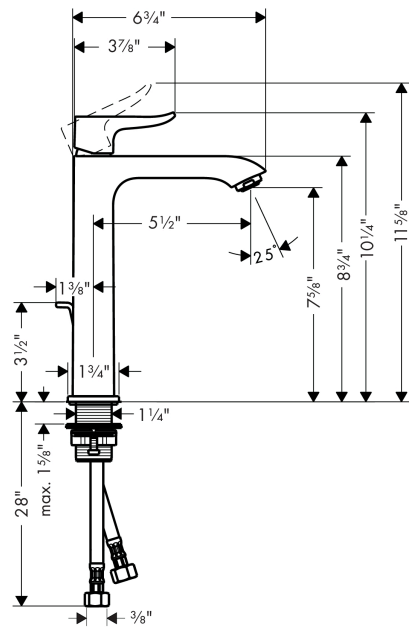
**Compliance / Sustainability**



**Product image**



**Scale drawing**

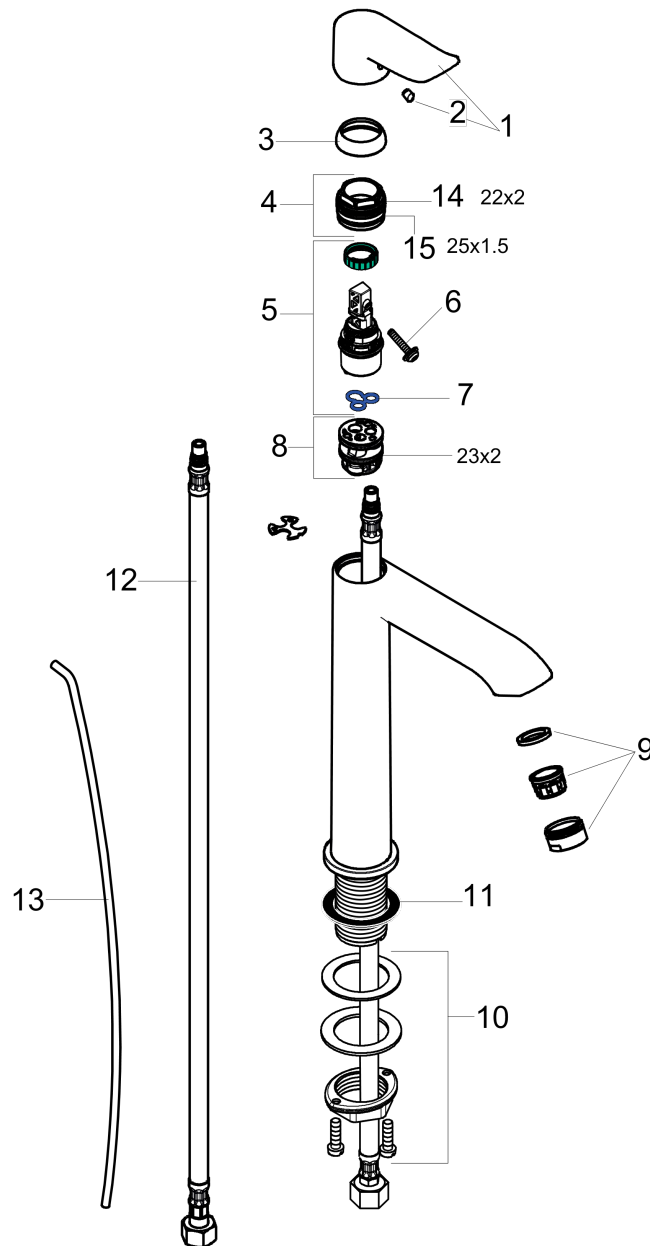


**Metris**  
**Single-Hole Faucet 200 with Pop-Up Drain, 1.2 GPM**  
 Finish: **Chrome** Part no. : **31183001**



Exploded drawing

Year of production: >07/16



**Metris**

**Single-Hole Faucet 200 with Pop-Up Drain, 1.2 GPM**

Finish: **Chrome** Part no. : **31183001**



**Spare parts list**

Year of production: >07/16

Pos.	Description	Part no.	PC	PU
1	handle	95520000	0	1
2	screw cover	96338000	0	1
3	flange	98863000	0	1
4	nut	98864000	0	1
5	cartridge, assy	95973001	0	1
6	locking screw for handle	95140000	0	1
7	seal	98865000	0	1
8	adapter for cartridge	98866000	0	1
9	aerator M24x1 (4,5 l/min)	92877000	0	1
10	fixing set (Ø 32)	13961000	0	1
11	flat seal	98749000	0	1
12	connection hose 35½" M8x0,75 3/8"	96316001	0	1
13	pull rod	96657000	0	1
14	O-Ring 22x2	98185000	0	1
15	O-ring 25x1,5	98146000	0	1
a	pop up waste	88509000	0	1
b	lever arm 340mm (ball-Ø12mm)	96324000	0	1