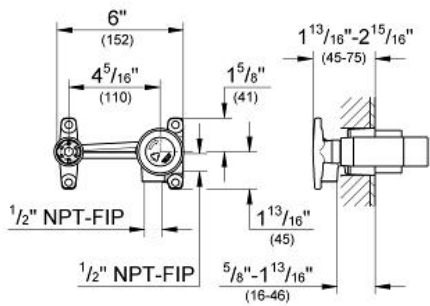


2-Hole Wall Mount Faucet Rough-In Valve

MODEL # 33780000

Pure Freude
an Wasser



Product Description:

2-Hole Wall Mount Faucet Rough-In Valve

Standard Specification:

- GROHE SilkMove ceramic cartridge
- GROHE WaterCare
- GROHE StarLight chrome finish
- 1/2" NPT Female Inlets
- Center to Center
- Cast Brass Construction
- For vessel sink pop-up drain refer to 65 818
- Max Flow Rate 2.2 gpm at 60 psi (8.3 L/min); 2.5 gpm at 80 psi (9.5 L/min) for hand shower

Applicable Codes & Standards:

- Energy Policy Act of 1992
- NSF 61
- ASME A112.18.1/CSA B125.1
- US Federal and State material regulations

Color:

□ 33780000

