

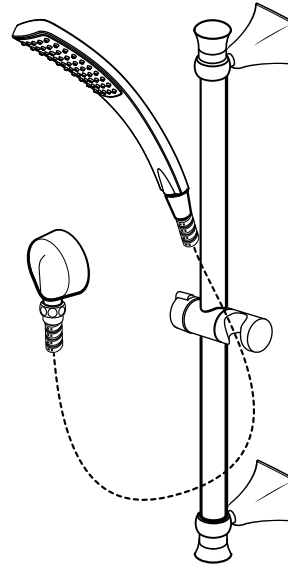
INSTALLATION INSTRUCTIONS

Keefe™ Personal Hand Shower Model D35104.780



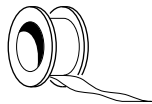
AMERICAN STANDARD

*Thank you for selecting DXV by American Standard.
To ensure that your installation proceeds smoothly,
please read these instructions carefully
before you begin.*



RECOMMENDED TOOLS AND MATERIALS

Most of the procedures require the use of common tools and materials, which are available from hardware and plumbing, supply stores. It is essential that the tools and materials be on hand before work is begun.



Teflon Tape



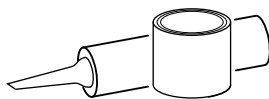
Tape Measure



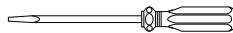
Drill



Adjustable Wrench



Plumbers' Putty or Caulking



Regular Screwdriver



Level

In the United States:

DXV by American Standard
One Centennial Avenue
Piscataway, New Jersey 08855
Attention: Director of Customer Care

For residents of the United States, warranty information may also be obtained by calling the following toll free number: (800) 227-2734
www.DXV.com

In Canada:

DXV by American Standard
5900 Avebury Road
Mississauga, Ontario
L5R 3M3
Canada

Toll Free: 1-800-387-0369
Local: 905-306-1093
Fax: 1-800-395-1498
www.DXV.ca

In Mexico:

DXV by American Standard
Via Morelos 330
Col. Santa Clara Coatitla
Ecatepec, Estado de México 55540

Toll Free: 01-800-8391200
www.DXV.mx

S
A
V
E

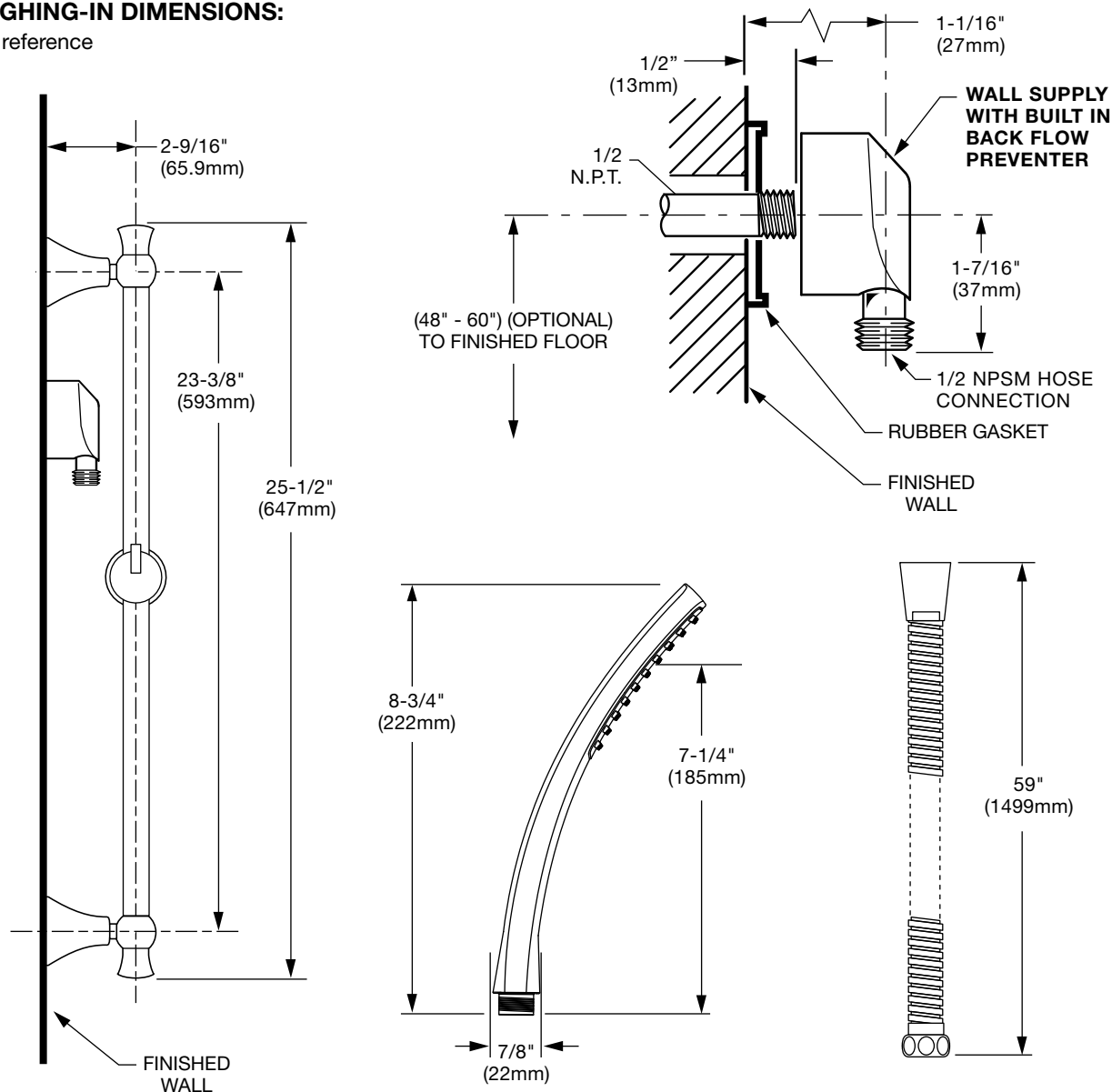
F
O
R

F
U
T
U
R
E

U
S
E

ROUGHING-IN DIMENSIONS:

- For reference

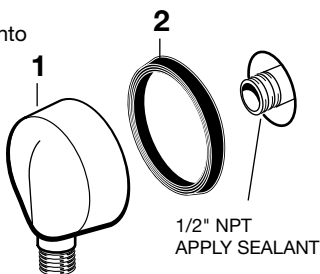


1 INSTALL WALL SUPPLY

CAUTION

Turn off hot and cold water supplies before beginning.

- Supply to WALL SUPPLY (1) is 1/2" NPT. See rough-in above for detailed information.
- Install RUBBER SEAL (2) onto WALL SUPPLY (1).
- Apply sealant or teflon tape to threads of 1/2" NPT supply nipple. Thread WALL SUPPLY (1) onto supply nipple making a water tight seal. WALL SUPPLY (1) with RUBBER SEAL (2) should be tight against finished wall.

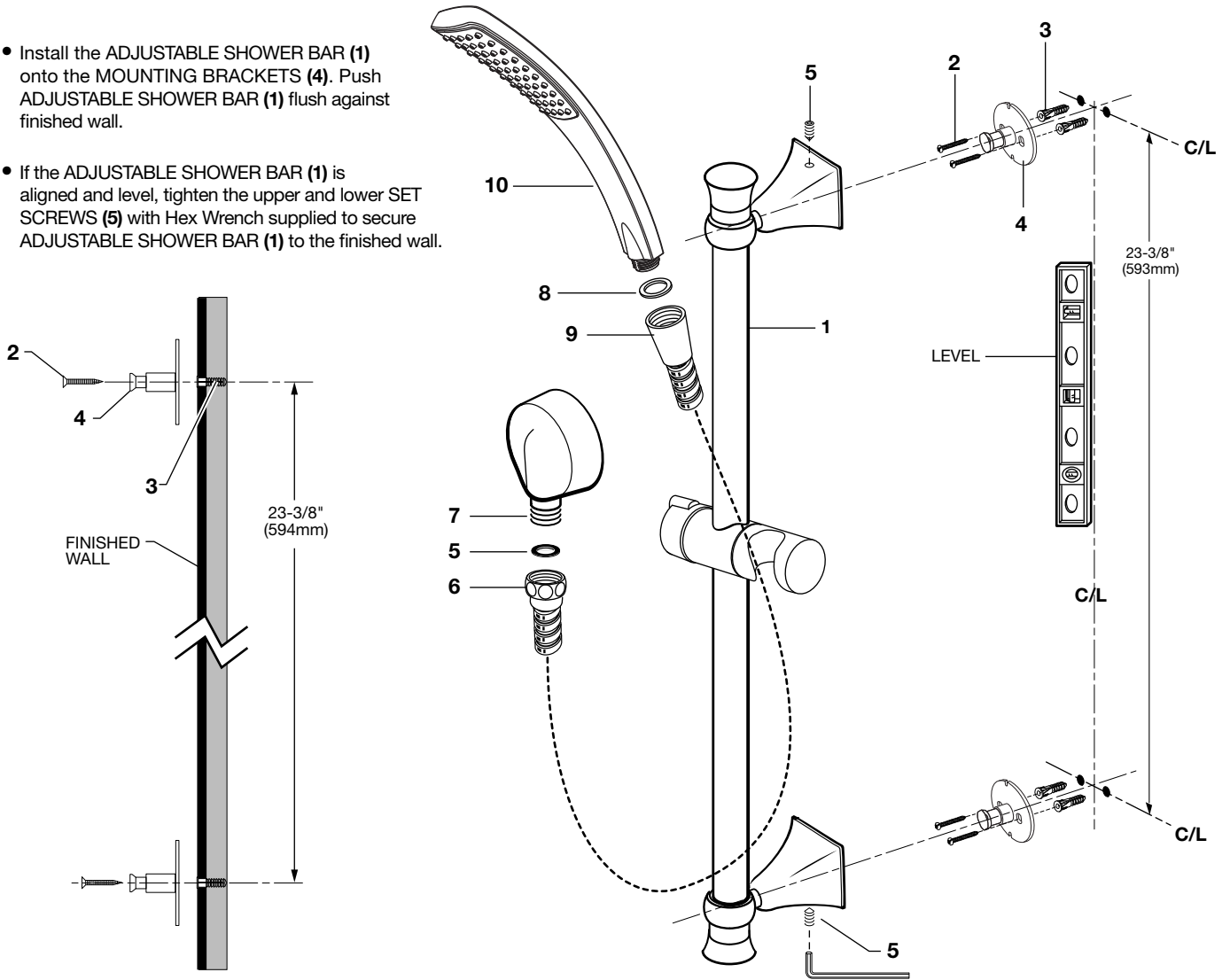


2 INSTALL WALL BRACKETS

- The ADJUSTABLE SHOWER BAR (1) works best if secured to a wall stud or cross brace within the wall, using the MOUNTING SCREWS (2).
- If the ADJUSTABLE SHOWER BAR (1) is to be installed on a tile or plaster wall the ANCHORS (3) and should be used.
- Determine desired height and location (optional) of the ADJUSTABLE SHOWER BAR (1) and mark the center line location of the upper MOUNTING BRACKET (4). Using a level and tape measure mark the lower center line for the other MOUNTING BRACKET (4). The distance between the center lines of the two MOUNTING BRACKETS (4) is 23-3/8" (594mm). **Note: This dimension is important and must be maintained.**
- **For installations on drywall or tiled walls:** Use MOUNTING BRACKETS (4) as template and mark the location of the three mounting holes. Drill three 1/4" dia. holes a minimum of 1-3/4" deep. Insert the three ANCHORS (3) flush with face of the finished wall.
- With a screw driver secure the MOUNTING BRACKETS (4) to the wall with MOUNTING SCREWS (2).

3 INSTALL ADJUSTABLE SHOWER BAR

- Install the ADJUSTABLE SHOWER BAR (1) onto the MOUNTING BRACKETS (4). Push ADJUSTABLE SHOWER BAR (1) flush against finished wall.
- If the ADJUSTABLE SHOWER BAR (1) is aligned and level, tighten the upper and lower SET SCREWS (5) with Hex Wrench supplied to secure ADJUSTABLE SHOWER BAR (1) to the finished wall.

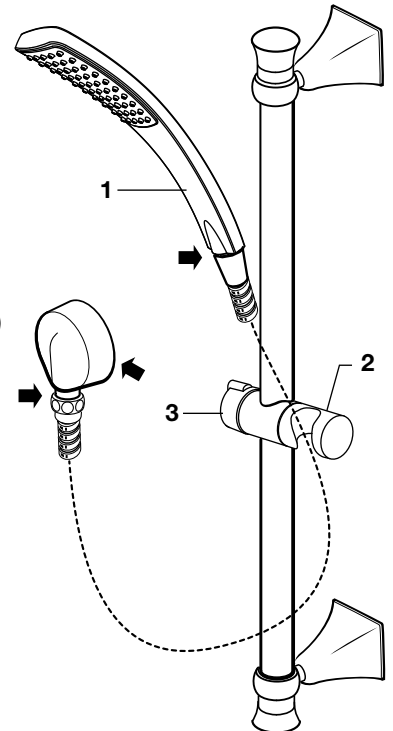


4 INSTALL HOSE AND HAND SHOWER

- Install SEAL (5) into COUPLING NUT (6). Connect COUPLING NUT (6) to WALL SUPPLY NIPPLE (7) and tighten.
- INSTALL second SEAL (8) into SPRAY HOSE END (9) and connect HAND SHOWER (10) to SPRAY HOSE END (9). Hand tighten.

5 TEST INSTALLED HAND SHOWER

- Lift HAND SHOWER (1) from HOLDER (2) and direct spray into tub. Turn hand shower valve on to check HAND SHOWER (1) for proper operation and hose connections for leaks.
- Use KNOB (3) on HOLDER (2) to adjust HAND SHOWER (1) height on slide bar.





AMERICAN STANDARD

Keefe™ Personal Hand Shower

MODEL NUMBER

D35104.780

Replace the "YYY" or "XXX" with appropriate finish code

POLISHED CHROME	100
BRUSHED NICKEL	144

