



ONCE UPON A TIME...WATER®

## BF1151 1/2" Pressure Balance Valve With Diverter and Decorative Trim

### SPECIFICATIONS

#### Features

- Solid brass construction
- Push-button diverter with automatic or mechanical reset
- No visible screw
- Shut-off valves included
- Male water inlet 1/2NPT threaded or welded
- Can be installed back-to-back
- Total adjustment of 19 mm (3/4")
- Optional lever included

#### Colors (Finishes)

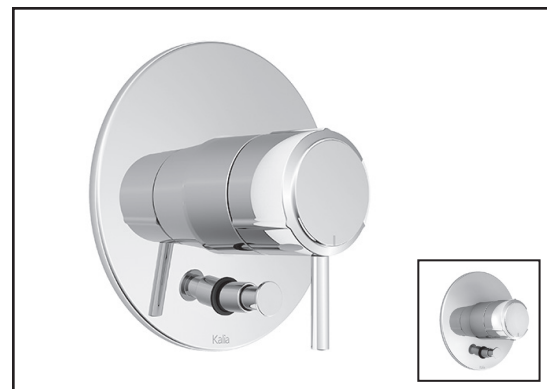
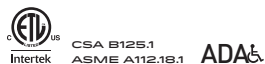
- Chrome : BF1151-110

#### Maximum flow rate

- 20 L/min (5.28 gpm) at 60 psi

#### Certifications

The specified model meets or exceeds the following standards;



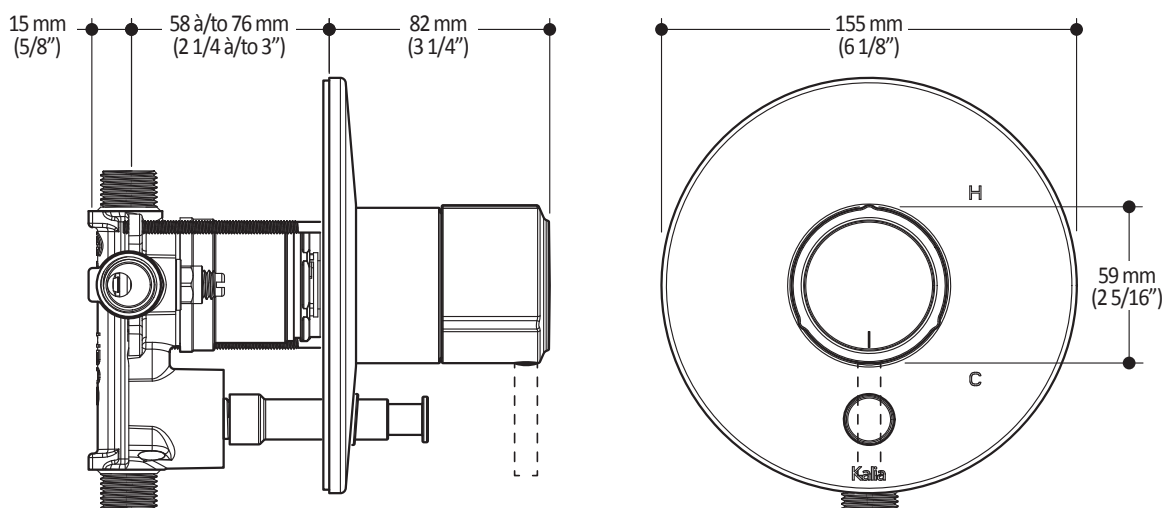
#### Installation Notes

This product must be installed following the installation instructions provided.

#### WARRANTY

Kalia Inc. guarantees all aspects of its products to be free of defects in material and workmanship for normal residential use. **Refer to the warranty included with the Kalia products for details.**

Product dimensions:



**Important :** Dimensions are approximated and are subject to changes. Please refer to the installation instructions.



ONCE UPON A TIME...WATER®

1355, 2<sup>nd</sup> Street, Industrial Park  
Sainte-Marie (Québec)  
Canada G6E 1G9

T 418-387-9090  
1-877-GO-KALIA (1-87- 465-2542)  
F 418 387-9089

[KaliaStyle.com](http://KaliaStyle.com)