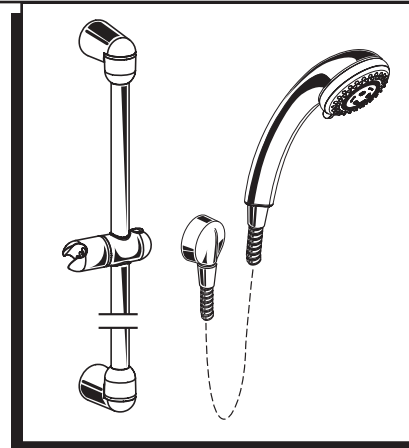


SHOWER SYSTEM KITS

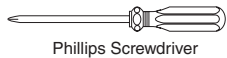
Thank you for selecting American-Standard...the benchmark of fine quality for over 100 years.

To ensure that your installation proceeds smoothly—please read these instructions carefully before you begin.

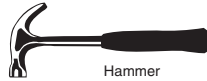


Certified to comply with ANSI A112.18.1
M968637 Rev 1.2

Recommended Tools & Materials



Phillips Screwdriver

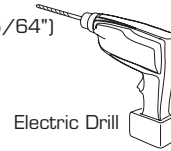


Hammer



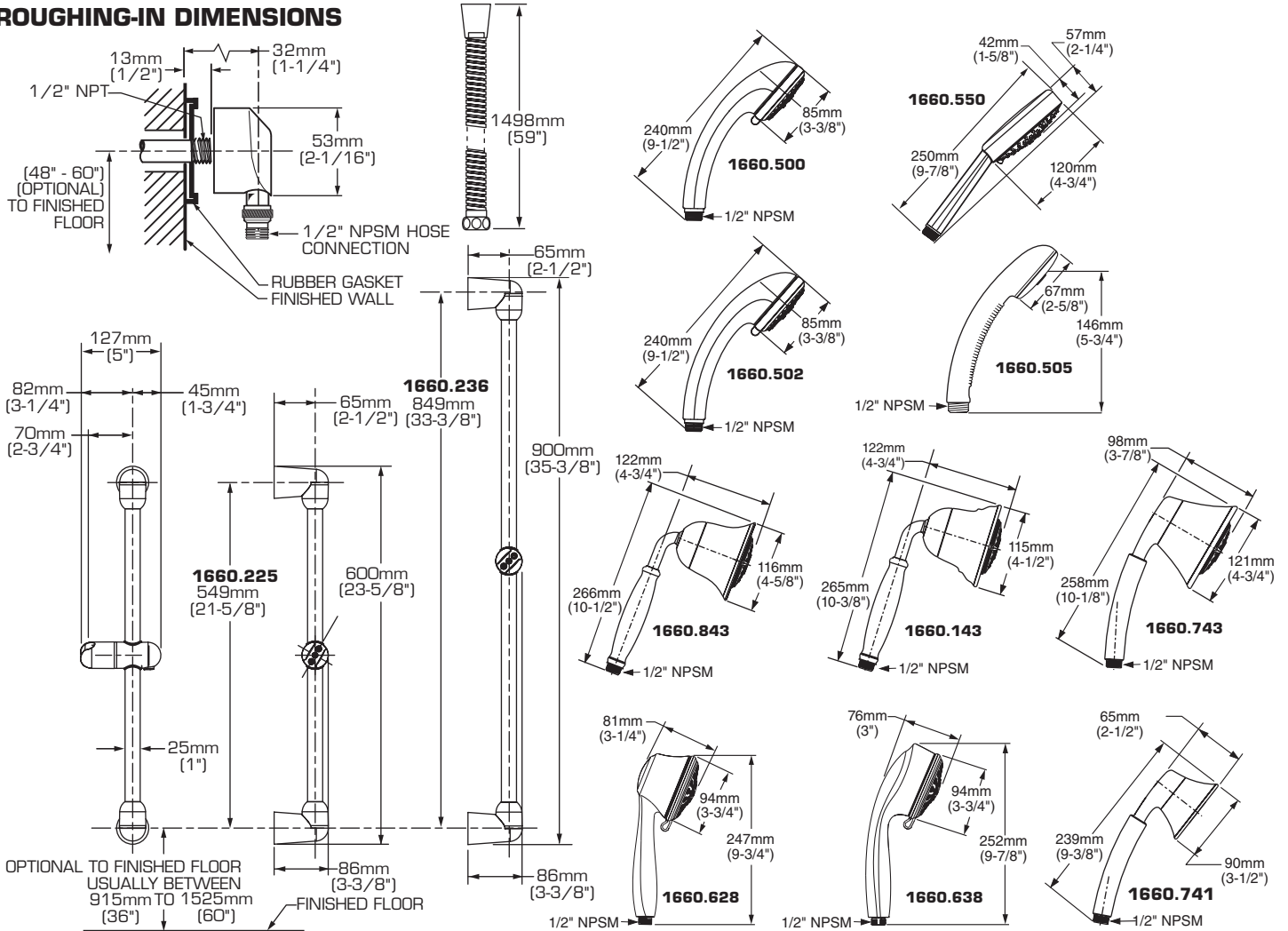
Pencil

6mm (15/64")
Drill Bit



Electric Drill

ROUGHING-IN DIMENSIONS



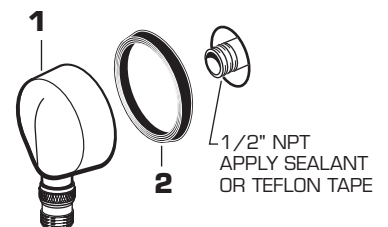
1

INSTALL WALL SUPPLY

CAUTION

Turn off hot and cold water supplies before beginning.

- Supply to WALL SUPPLY (1) is 1/2" NPT. See rough-in above for detailed information.
- Install RUBBER SEAL (2) onto WALL SUPPLY (1).
- Apply sealant or teflon tape to threads of 1/2" NPT supply nipple. Thread WALL SUPPLY (1) onto supply nipple making a water tight seal. WALL SUPPLY (1) with RUBBER SEAL (2) should be tight against finished wall.



2 INSTALL LOWER SUPPORT BRACKET

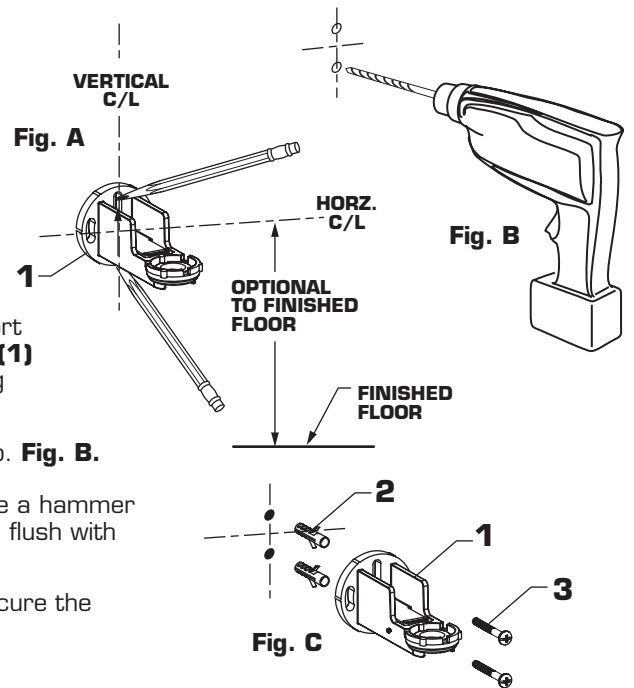
- The SLIDE BAR works best when secured to the wall studs or cross brace using the WOOD SCREWS. If a mounting into the studs is not possible, use appropriate wall fasteners to provide secure installation.
- Mark a vertical center line in the location you wish to install the SLIDE BAR. **NOTE:** The height from the finished floor is optional. See rough-in drawing for suggested dimensions.

- Determine desired height from the finished floor to the lower support and mark a horizontal center line. Place the MOUNTING BRACKET (1) on the center lines, with a pencil mark the location on the mounting holes to be drilled. **Fig. A.**

- Using 15/64" diameter drill. Drill two mounting holes 1" max. deep. **Fig. B.**

- Install the two ANCHORS (2) provided into the mounting holes. (Use a hammer to lightly tap ANCHORS (2) into place.) Make sure they are installed flush with the finished wall.

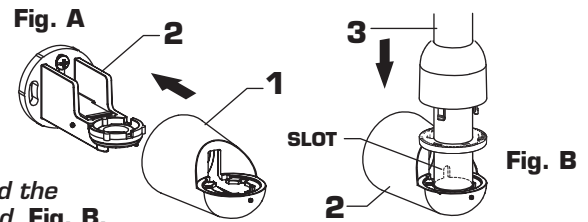
- Place the MOUNTING BRACKET (1) over the ANCHORS (2) and secure the MOUNTING BRACKET (1) with the SCREWS (3) provided. **Fig. C.**



3 INSTALL SLIDE BAR

- Slide the COVER (1) onto the MOUNTING BRACKET (2) flush against the wall. **Fig. A.**

- Install the bottom of SLIDE BAR (3) into the MOUNTING BRACKET (2). **IMPORTANT:** The slot at the bottom of the slide bar must face toward the wall. Rotate the slide bar until it locks into place and cannot be turned. **Fig. B.**

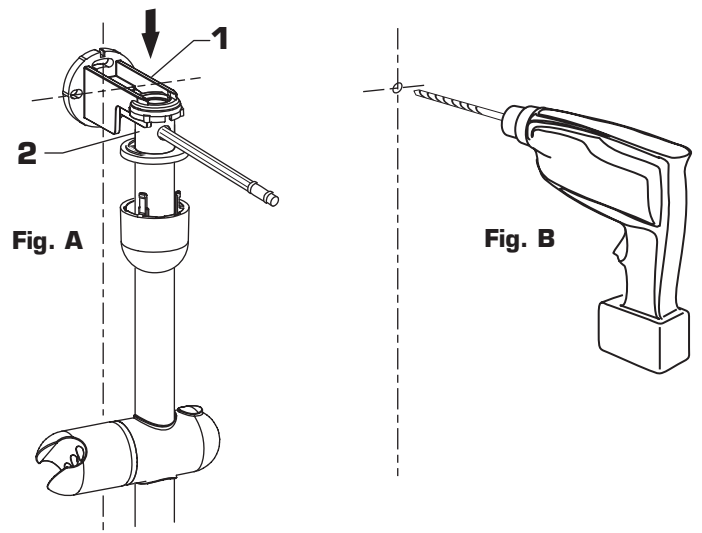


4 LOCATE UPPER MOUNTING BRACKET

- Install the upper MOUNTING BRACKET (1) onto the SLIDE BAR (2). Align the MOUNTING BRACKET (1) with center lines and mark the center mounting hole with a pencil as shown. **Fig. A.**

- Remove the SLIDE BAR (2) and set a side.

- Using 15/64" diameter drill bit, drill mounting hole 1" max. deep. **Fig. B.**



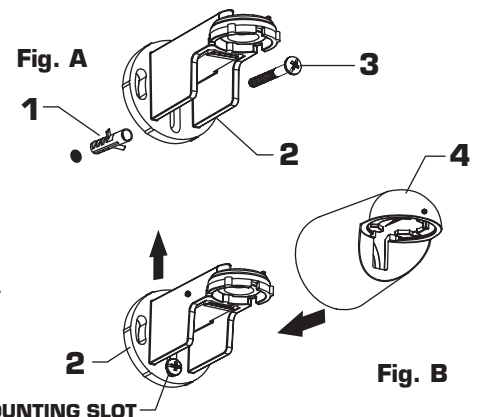
5 INSTALL UPPER MOUNTING BRACKET

- Install the ANCHOR (1) provided into the mounting hole. Make sure it is installed flush with the finished wall. (Use a hammer to lightly tap ANCHOR (1) into place.)

- Place the MOUNTING BRACKET (2) over the ANCHOR (1) and secure the MOUNTING BRACKET (2) with the SCREW (3) provided. **NOTE:** Do not tighten fully.

- Slide the MOUNTING BRACKET (2) up against the bottom of the mounting slot..

- Slide the COVER (4) onto the MOUNTING BRACKET (2) flush against the wall.

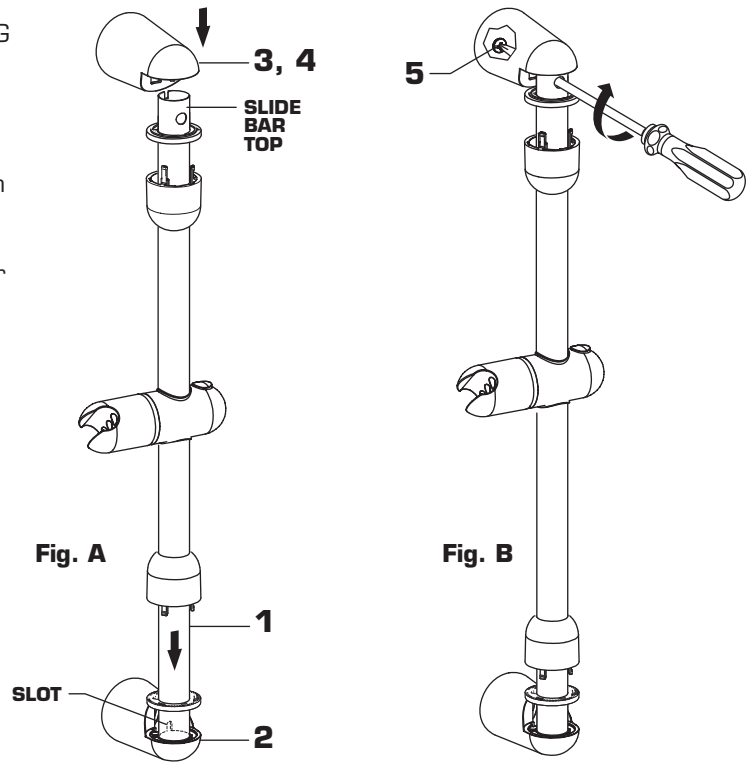


BOTTOM OF MOUNTING SLOT

6

INSTALL SLIDE BAR INTO MOUNTING BRACKETS

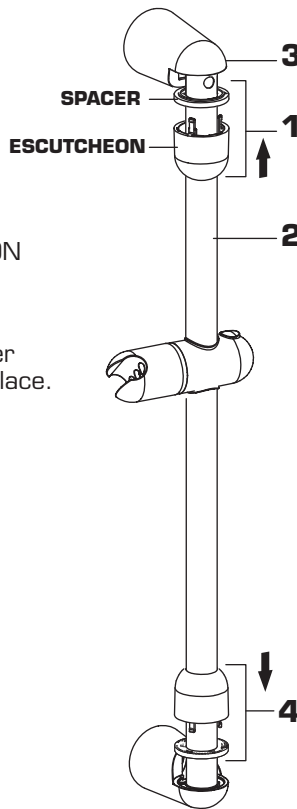
- Install the SLIDE BAR (1) back into the lower MOUNTING BRACKET (2). **IMPORTANT: The slot at the bottom of the slide bar must face toward the wall. Rotate the slide bar until it locks into place and cannot be turned. Fig. A.**
- Push top COVER (3) and MOUNTING BRACKET (4) down onto top of SLIDE BAR (1). **Fig. A.**
- Tighten MOUNTING SCREW (5) with phillips screw driver to secure assembly to wall. **Fig. B**



7

FINISH INSTALLATION

- Align the ESCUTCHEON and SPACER so that the spacer is sitting on the ESCUTCHEON.
- Rotate the upper ESCUTCHEON and SPACER (1) on SLIDE BAR (2) until the three snap arms align with the holes in the cover. Push ESCUTCHEON and SPACER (1) into COVER (3) until it snaps in place.
- Repeat above steps to snap the lower ESCUTCHEON and SPACER (4) into place.

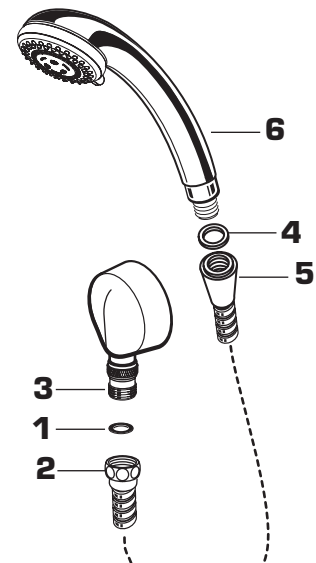


8

INSTALL HOSE AND HAND SHOWER

- Install SEAL (1) into COUPLING NUT (2). Connect COUPLING NUT (2) to WALL SUPPLY NIPPLE (3) and tighten.
- Install second SEAL (4) into SPRAY HOSE END (5) and connect HAND SHOWER (6) to SPRAY HOSE END (5). Hand tighten.

INSTALL second SEAL (4) into SPRAY HOSE END (5) and connect HAND SHOWER (6) to SPRAY HOSE END (5). Hand tighten.



CARE INSTRUCTIONS:

DO: SIMPLY RINSE THE PRODUCT CLEAN WITH CLEAR WATER. DRY WITH A SOFT COTTON FLANNEL CLOTH.

DO NOT: DO NOT CLEAN THE PRODUCT WITH SOAPS, ACID, POLISH, ABRASIVES, HARSH CLEANERS, OR A CLOTH WITH A COARSE SURFACE.