
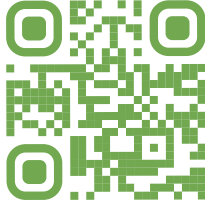



# Location:



## 6604-TRM, 6604TRMTC Tub/Hand Shower Trim Specification Submittal

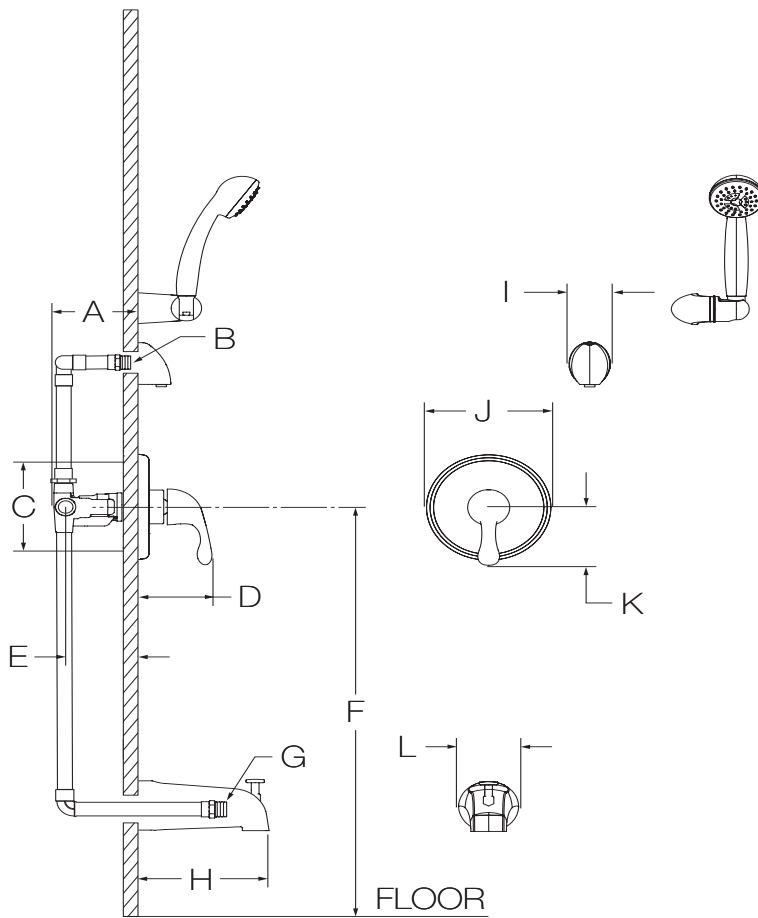


Feature Highlights	Options/Modifications
<ul style="list-style-type: none"> <li>Unity Tub/Hand Shower Trim</li> <li>Requires Temptrol® Pressure Balancing Tub/Shower Valve</li> <li>Metal lever handles</li> <li>Cradle for hand shower wand</li> <li>Dual checks for backflow protection</li> <li>60" flexible metal hose</li> <li>5-1/2" diverter tub spout</li> <li>1 mode hand shower wand with easy to clean nozzles</li> <li>2.0 gpm (7.6 L/min) flow restrictor</li> <li>Components shall be metal and nonmetallic construction, plated in standard Polished Chrome finish</li> <li>Available with TA-10 flow control spindle and T-12A cap assembly for Temptrol valve bodies installed with Test Cap (order p/n 6604TRMTC)</li> <li>For optional in-line vacuum breaker order p/n EF-109</li> </ul>	<ul style="list-style-type: none"> <li><input type="checkbox"/> <b>L5</b>  1.5 gpm (5.7 L/min) flow restrictor</li> <li><input type="checkbox"/> <b>L2</b> Less hand shower wand</li> <li><input type="checkbox"/> <b>L5</b> Less hand shower system (cradle, hose, wand and elbow)</li> <li><input type="checkbox"/> <b>L6</b> Less tub spout</li> <li><input type="checkbox"/> <b>L7</b> Less handle</li> <li><input type="checkbox"/> <b>STN</b> Satin Nickel finish</li> </ul> <p><b>Note:</b> Append appropriate -suffix to model number.</p>
Model Numbers	Warranty
<ul style="list-style-type: none"> <li><input type="checkbox"/> <b>6604-TRM</b> Tub/Hand Shower Trim, Temptrol Pressure Balancing Tub/Shower Valve ordered separately</li> <li><input type="checkbox"/> <b>6604TRMTC</b> Tub/Hand Shower Trim with TA-10 flow control spindle and T-12A cap assembly, must order Temptrol valve with Test Cap</li> </ul>	<p><b>Limited Lifetime</b> - to the original end purchaser in consumer/residential installations.</p> <p><b>10 Years</b> - for commercial/industrial installations. Refer to <a href="http://www.symmons.com/warranty">www.symmons.com/warranty</a> for complete warranty information.</p> 
Compliance	
<ul style="list-style-type: none"> <li>ASME A112.18.1/CSA B125.1</li> </ul> 	

## Architectural/ Engineering Specification

Symmons \_\_\_\_\_ With Unity tub/hand Shower Trim, requires Temptrol® pressure balancing tub/shower valve, metal lever handle, Cradle for hand shower wand, Dual checks for backflow protection, 60" flexible metal hose, 5-1/2" diverter tub spout, 1 mode hand shower wand with easy to clean nozzles, 2.0 gpm (7.6 L/min) flow restrictor, Tub spout and showerhead not included, components shall be metal and nonmetallic construction, plated in standard Polished Chrome finish, available with TA-10 flow control spindle and T-12A cap assembly for Temptrol valve bodies installed with Test Cap (order p/n 6604TRMTC), For optional in-line vacuum breaker order p/n EF-109. 10 Year commercial Warranty. ASME A112.18.1/CSA B125.1, WaterSense 1.5 gpm (5.7 L/min), 2.0 gpm (7.6 L/min) Complaint. Available options include "1.5 - 1.5 gpm (5.7 L/min) flow restrictor", "L2 - Less hand shower wand", "L5- Less hand shower system", "L6 - Less tub spout", "L7 - Less handle", "STN - Satin nickel finish".

## Dimensions



Measurements	
<b>A</b>	3-1/2", 89 mm
<b>B</b>	Male 1/2" NPT fitting must be recessed 1/4" (6 mm) from finished wall
<b>C</b>	Shower Valve Hole Size Min. Ø 3", 76 mm Max. Ø 4", 102 mm
<b>D</b>	3-3/4", 95 mm
<b>E</b>	Rough-in 2-3/8" ± 1/2", 60 mm ± 13 mm
<b>F</b>	Ref. 32", 813 mm
<b>G</b>	Male 1/2-14 NPT fitting must protrude 4" (102 mm) from finished wall
<b>H</b>	5-1/4", 133 mm
<b>I</b>	2-1/8", 54 mm
<b>J</b>	Ø 6-3/8", 162 mm
<b>K</b>	3-1/2", 89 mm
<b>L</b>	Ø 2-1/2", 64 mm

### Notes:

- 1) Valve body and piping not included and shown as reference only.
- 2) Plaster shield (p/n T-176) for dry wall, plaster or other type walls 1/2" or greater.
- 3) All dimensions measured from nominal rough-in (see E as reference).
- 4) Dimensions subject to change without notice.