

Location:



SYMMONS® Origins ActivSense™

S6960B & S6960E

Sensor Lavatory Faucet

Specification Submittal



Includes 4" deck plate



Model Numbers

- S6960B** *Single Supply Sensor Lavatory Faucet
6X1.5V Batteries included*
- S6960E** *Single Supply Sensor Lavatory Faucet
9V Transformer*
- S6960BM** *Dual Supply Sensor Lavatory Mixer
6X1.5V Batteries included*
- S6960EM** *Dual Supply Sensor Lavatory Mixer
9V Transformer*

Feature Highlights

- LEED Rating
- Optional hygiene flush
- Robust brass body
- Adjustable settings
- Easy to install
- ADA compliant
- Single hole or 4" center, optional deck plate included

Finish Options/Modifications

- STS** *Stainless Steel finish*
- 035** *0.35 gpm (1.3 L/min) flow restrictor*
- 10** *1.0 gpm (3.8 L/min) flow restrictor*

Note: Append appropriate suffix to model number.

Options *(sold as separate line items)*

- RC6960** *Remote Control*
- SD6960BL** *Matching ORIGINS soap dispenser
Battery*
- SD6960BF** *Matching ORIGINS soap dispenser*
- USDP8** *8 Inch Deck Plate*
- SD010** *Converts S6960B to AC powered
(S6960E)*
- SF278** *120V Cable 4.5 feet long
Hard wired 15 Amp circuit.
(QTY:10) 12 Volt Outputs , 4.2A
Any combination of devices
10 devices maximum
(SF277 not included)*

Note: Append appropriate suffix to model number.

Compliance

- ASME A112.18.1/CSA B125.1
- NSF/ANSI 372
- UL# E311169 (USA & Canada)
- Buy American Act Compliant



Warranty

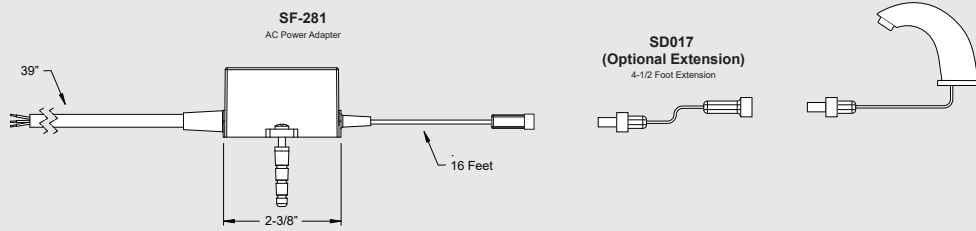
Limited Lifetime - to the original end purchaser in consumer/residential installations.

10 Years - for commercial/industrial installations. Refer to www.symmons.com/warranty for complete warranty information.

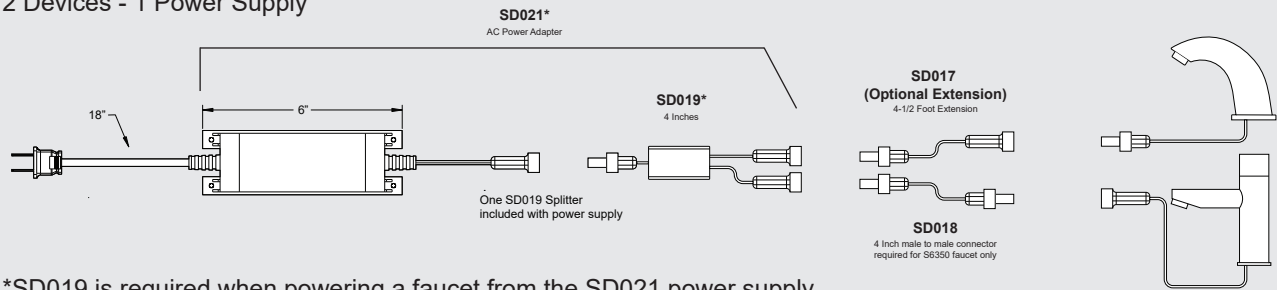


Power Layout

1 Device - 1 Power Supply

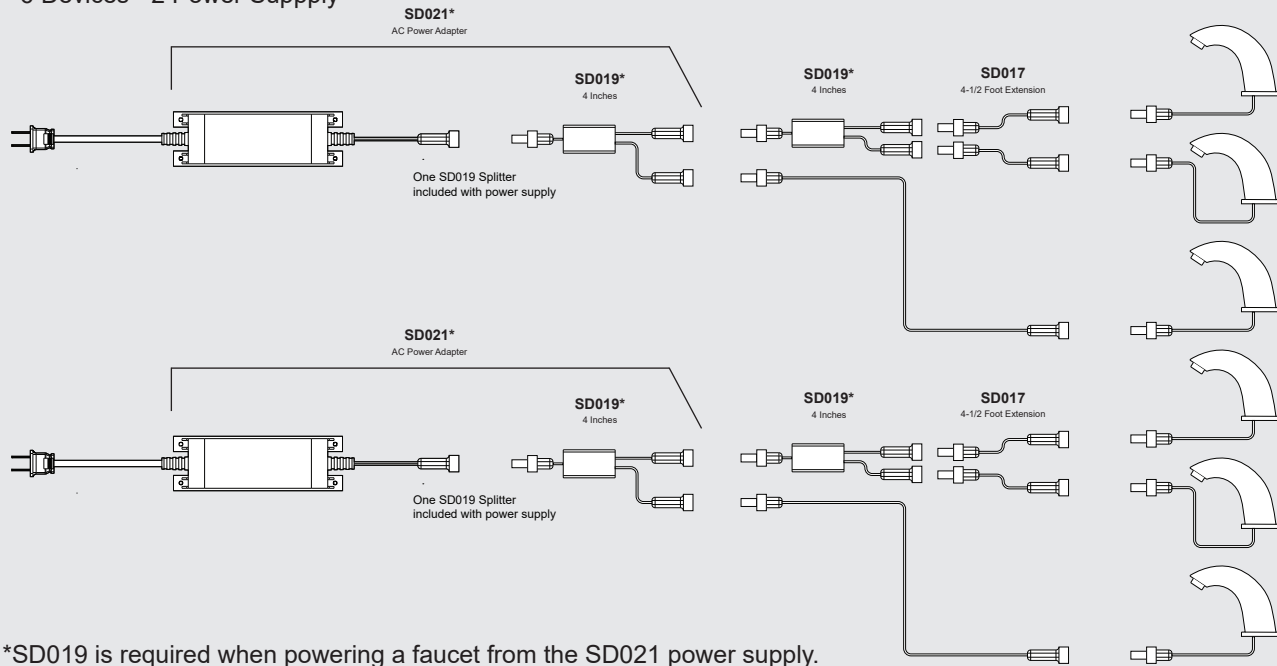


2 Devices - 1 Power Supply



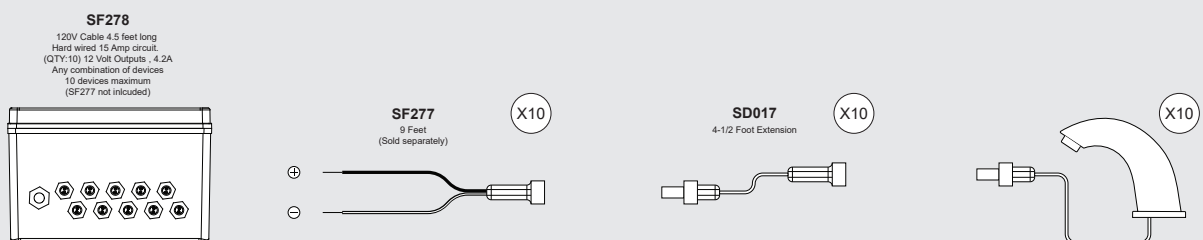
*SD019 is required when powering a faucet from the SD021 power supply.

6 Devices - 2 Power Supply

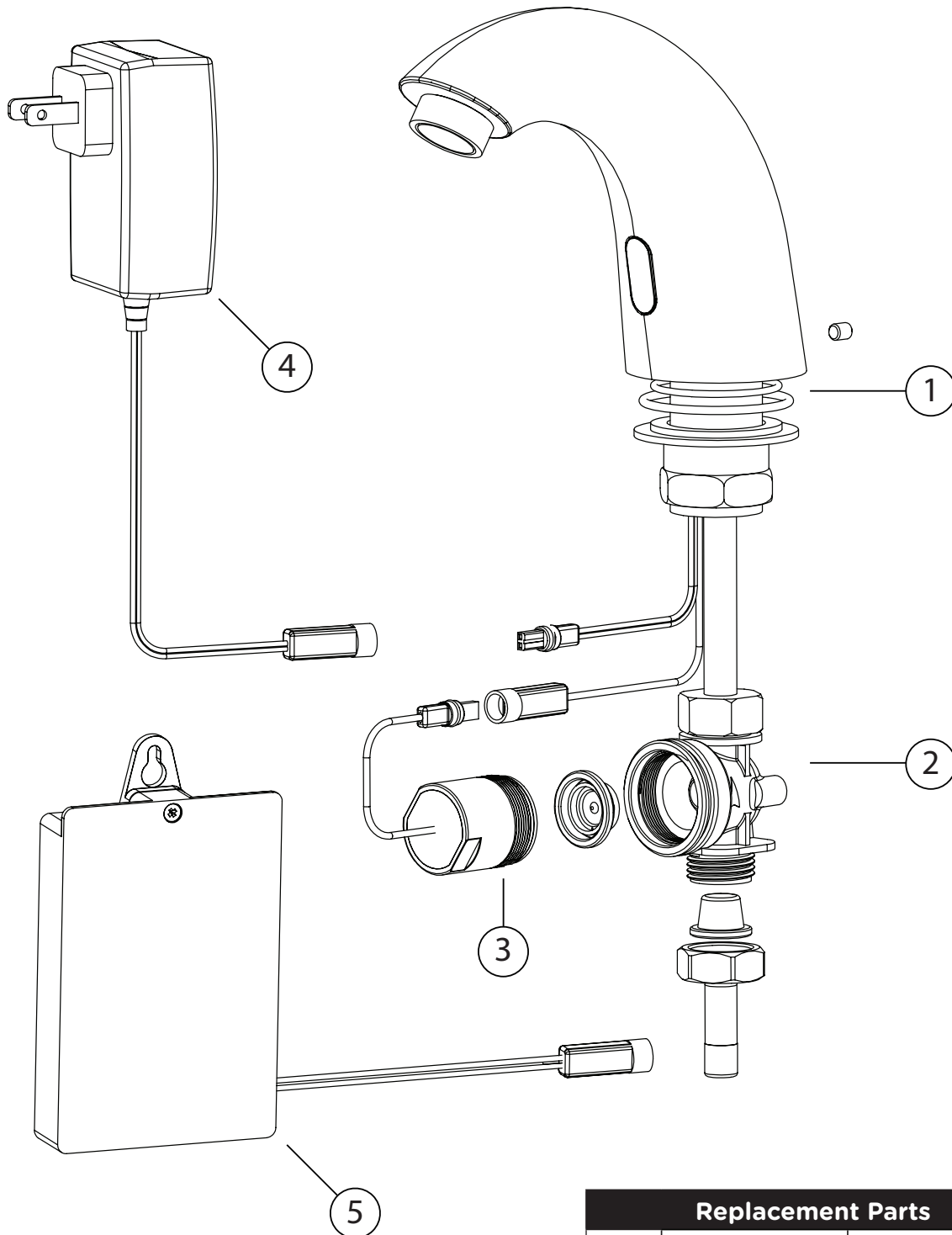


*SD019 is required when powering a faucet from the SD021 power supply.

10 Devices - 1 Power Supply



Installation /Repair Parts

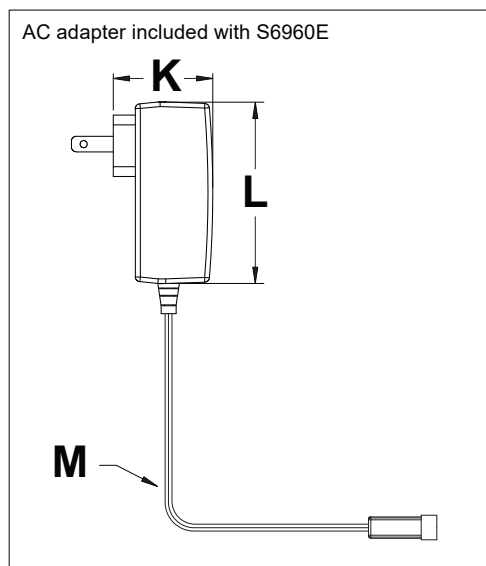
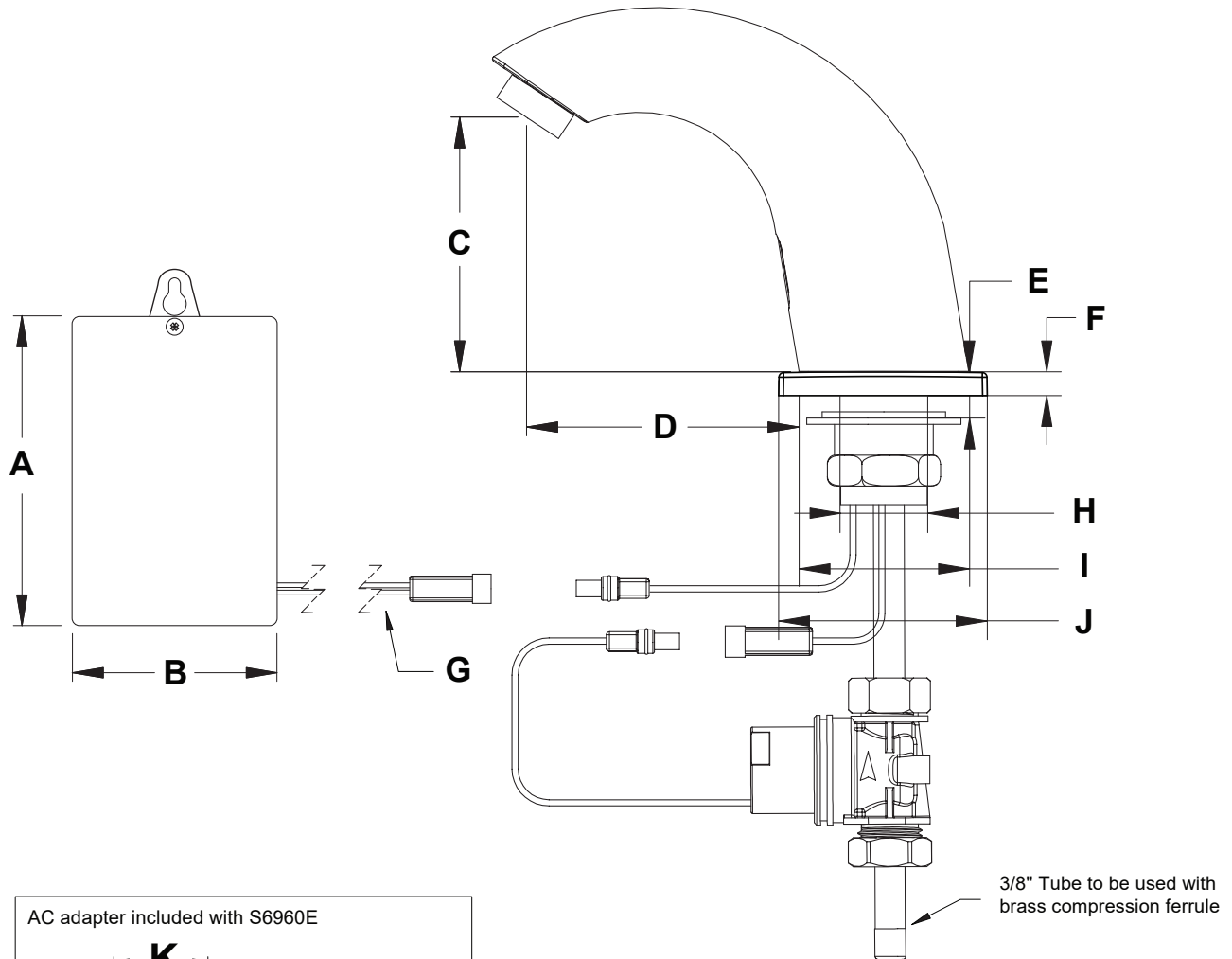


Replacement Parts		
Item	Description	Part No.
1	Seals and screws kit	SF250
2	Solenoid valve kit	SF253
3	Solenoid housing kit	SF255
4	Battery box	SF258
5	12V Transformer	SD010
6	4" Deck plate	USDP4

Note: Dimensions subject to change without notice.

Dimensions

S6960B / S6960E



Measurements	
A	5" , 127 mm
B	3" , 76 mm
C	3-1/4" , 82 mm
D	3-1/2" , 88 mm
E	Deck Thickness Max: 1-3/8" With Deck Plate - Max: 1"
F	5/16" , 8 mm
G	18" , 457 mm
H	Ø Min:1-1/8" , 28 mm Ø Max:1-1/2" , 38 mm
I	Ø 2-1/8" , 55 mm
J	2-5/8" , 67 mm
K	1-5/8" , 41 mm
L	2-7/8" , 74 mm
M	15' , 4.5 m

Note: Dimensions subject to change without notice.