



**Kingston™**  
 The Complete Solution™ two-piece elongated toilet,  
 1.28 gpf  
**K-26077**

**Features**

- Two-piece design
- Elongated bowl offers added room and comfort
- Comfort Height™ feature offers chair-height seating that makes sitting down and standing up easier for most adults
- 1.28 gpf (4.8 lpf)
- Durable metal left-hand Polished Chrome trip lever
- 2-1/8" (54 mm) fully glazed trapway
- Sanitary guard where bowl and tank meet for ease of cleaning
- Easy-to-service silicone seal
- Encapsulated bolts prevent rust and corrosion
- Quiet-Close™ elongated lid and seat prevents slamming
- Ideal for commercial installations
- The Complete Solution toilets provide everything you need, including bowl, tank, seat, wax ring, and hardware



**Technology**

- Precision-engineered tank, bowl, and trapway create strong siphon during flushing
- Class Five™ canister optimizes the flow out of the tank, harnessing gravity and the natural powerful reducing cascade of water to increase the power and effectiveness of the flush
- Easy-to-flush canister design requires less force to actuate than a 3" (76 mm) flapper, and has 90% less exposed seal material which resists conditions that cause wear, tear, shrinkage and swelling

**Installation**

- Three-bolt quick-connect installation
- Standard 12" (305 mm) rough-in
- Supply line sold separately

**Included Components**

Product consists of:

- 25076
- 25100
- 20110

Additional Components:

- Bolt cap accessory pack

ADA	CSA B651	OBC
-----	----------	-----

**Codes/Standards**

- ASME A112.19.2/CSA B45.1
- DOE - Energy Policy Act 1992
- EPA WaterSense™
- California Energy Commission (CEC)
- ADA
- ICC/ANSI A117.1
- CSA B651
- OBC


**KOHLER® Toilets and Seats Limited Warranty**

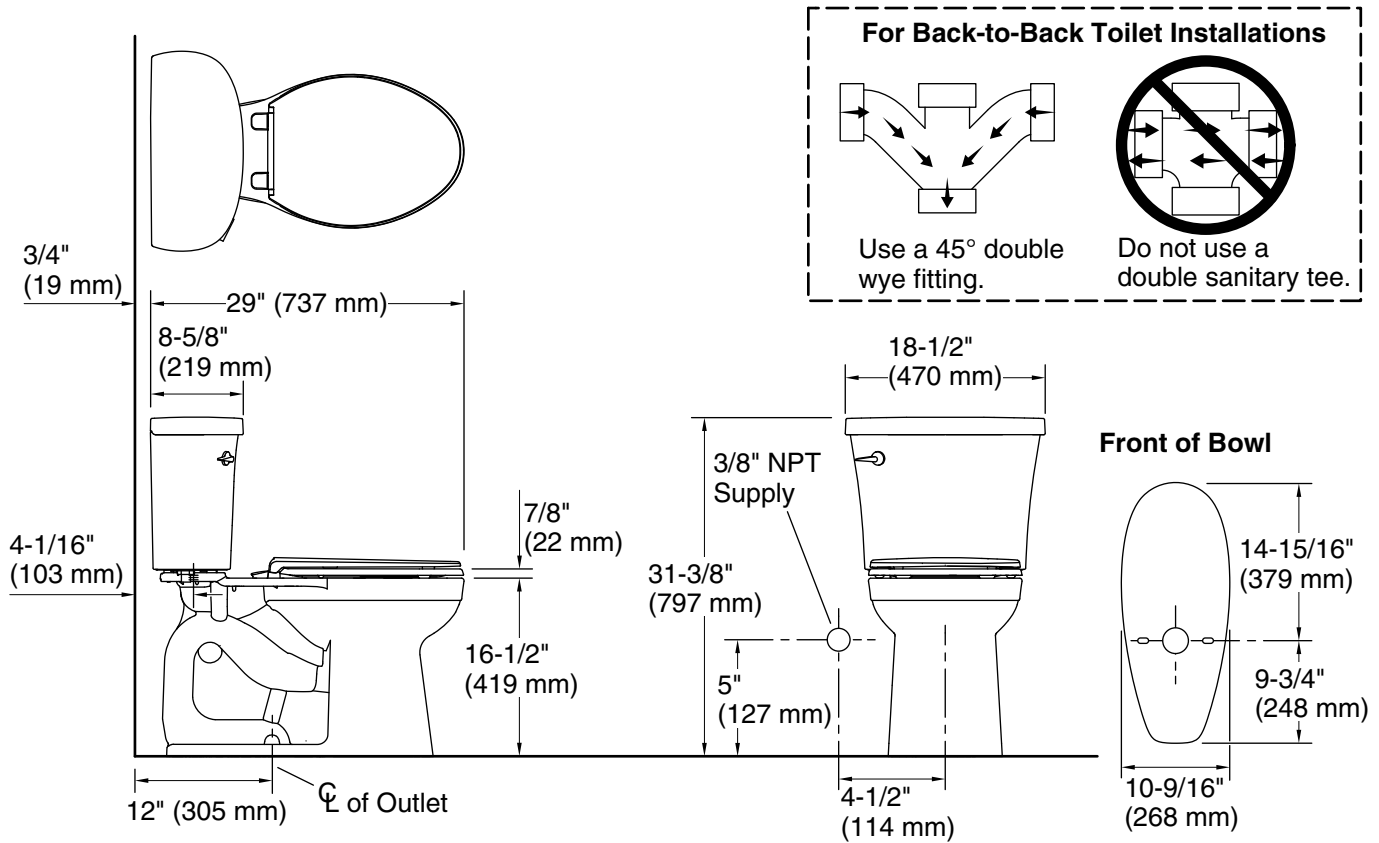
See website for detailed warranty information.

**Available Colors/Finishes**

*Color tiles intended for reference only.*

**Color Code Description**

	0	White
---	---	-------



## Technical Information

All product dimensions are nominal.

Toilet type:	Floor-mount
Waste Outlet:	Floor
Bowl shape:	Elongated
Flush type:	Class Five Single-Flush
Trap passageway:	2-1/8" (54 mm)
Water surface size:	10-5/8" x 6-15/16" (269 mm x 176 mm)
Rim to water surface:	5-5/8" (143 mm)
Rough-in:	12" (305 mm)
Seat-mounting holes:	5-1/2" (140 mm)

## Notes

Install this product according to the installation instructions.

ADA, OBC, CSA B651 compliant when installed to the specific requirements of these regulations.

Plumbing codes may require elongated toilets and elongated, open-front seats in public bathrooms.

Accessibility standards may require controls to be located on the open side of the toilet.