

Features

- Double-equal bowls.
- 9" (229 mm) depth provides generous workspace.
- Includes one faucet hole and option for three additional holes for knockout with ball-peen hammer and punch.
- Includes cutout templates.
- Includes K-5662 sink rack.
- Optional K-5186 bottom basic rack(sold separately)

Material

- KOHLER Neoroc® composite is durable and built to withstand day-to-day cleaning tasks.
- Matte finish offers rich, dimensional color.
- Solid color throughout the sink.
- Heat-resistant up to 750°F.
- Scratch, stain, chip, and thermal-shock resistant.

Installation

- 36" minimum base cabinet width for undermount or top-mount installation.
- Top-mount or undermount.

Recommended Products/Accessories

- K-8801 Sink drain and strainer with tailpiece
- K-8799 Sink drain and strainer basket
- K-23726 Drain treatment
- K-23730 Neoroc® cleaner

Optional Products/Accessories

- K-5186 Right-Bowl Sink Rack
- K-11352 Disposal Flange with Stopper
- K-9000 P-Trap

Included Components

- Additional Components:
K-5662



Codes/Standards





CSA B45.5/IAPMO Z124

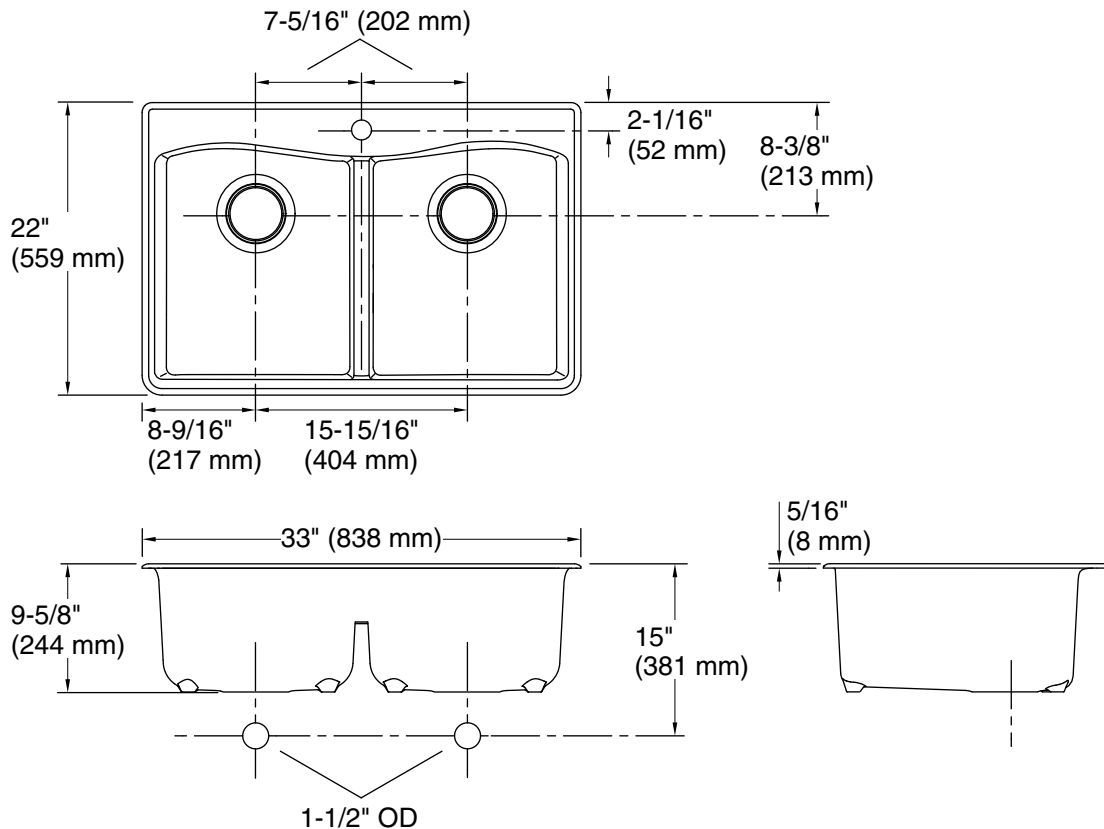
KOHLER® Neoroc® Sinks Lifetime Limited Warranty

See website for detailed warranty information.

Available Colors/Finishes

Color tiles intended for reference only.

Color	Code	Description
	CM7	Matte Graphite
	CM1	Matte Black
	CM2	Matte Brown
	CM3	Matte Taupe



Technical Information

All product dimensions are nominal.

Installation:	Under-mount, Top-mount
Min. base cabinet width:	36" (914 mm)
Bowl area (Left):	Length: 14-9/16" (370 mm) Width: 16-13/16" (427 mm) Bowl depth: 9" (229 mm) Water depth: 9" (229 mm)
Bowl area:	Length: 14-9/16" (370 mm) Width: 16-13/16" (427 mm) Bowl depth: 9" (229 mm) Water depth: 9" (229 mm)
Faucet hole spacing:	4" (102 mm)
Drain hole:	3-7/8" (98 mm)
Template:	1281758-7, required, included

Notes

Install this product according to the installation instructions.