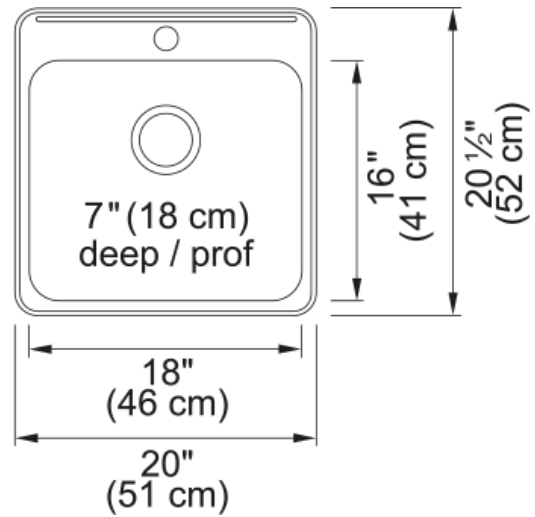


Steel Queen Drop In Sink - QSL2020-7-1 | 101.0045.225



Steel Queen 20-in x 20.5-in Drop In Single Bowl 1-Hole Stainless Steel Kitchen Sink. Combining design and durability worthy of the Kindred Crown, Steel Queen sinks have been a homeowner's favorite for years. Widely regarded as some of the easiest-to-install sinks, these versatile drop in models are the top choice of many home renovators. The EZ Torque™ fastener system simplifies the installation of your sink by allowing you to drop and drill it into place, securely locking the sink to the countertop. Steel Queen sinks are made from durable 20-gauge stainless steel with a finish that will stand up to hard work, year in and year out.

Aspect

Sink type	Sink
Type of material	Stainless steel
Number of bowls	1
Color	Steel
Surface finish	High gloss

Product Dimensions

Exterior size: right to left	20
Exterior size: front to back	20.5
Large bowl size: right to left	18.02
Large bowl size: front to back	16
Large bowl: depth	7.008

Installation

Minimum cabinet size	24"
----------------------	-----

Product specifications

Installation type	Topmount / drop in
Drain hole	3 1/2"
Position of drainer	No drainer

Product identification

Product brand	Kindred
Collection	Steel Queen
Certified by	CSA

Features

Drainers number	No drainer
Product reversibility	No
Faucet ledge	Yes

Strainer assembly included	Yes
Strainer assembly type	Manual
Overflow	No
Number of faucet holes	1
Soap dispenser hole	No