

B3Square 6036

Model number:

420006

Dimensions: 60" x 36" x 4"

Installation:

Material: Acrylic



Standard Features:

- Acrylic rectangular shower base with square or round drain
- 3 in. threshold and smooth floor
- Right, left, center or back-end drain
- B3Square only: Chrome grid and drain included (ABS or PVC available)
- Grids also available in Dark Bronze or Brushed Nickel

Product characteristics:

- Utile Compatible
- Low Threshold
- Bestseller

Warranty:

25 Years

Standard colors:



White (001)



Bone (004)



Biscuit (007)

Certifications

MAAX products adhere to one or more of the following certifications:



Recommended products (Visit our website for a complete list of our recommended products)

No	Description
136672	Reveal 71 Pivot Shower Door 56-59 x 71 1/2 in. 8 mm
136881	Reveal 75 Pivot Shower Door 56-59 x 75 in. 8 mm
137504	Edge Duo Shower Shield 42 x 75 in. 8 mm

Options (Visit our website for a complete list of our options)

No	Description
<input type="checkbox"/> OPT 20208	PVC drain
<input type="checkbox"/> OPT 20253	ABS drain
<input type="checkbox"/> OPT 20254	PVC drain

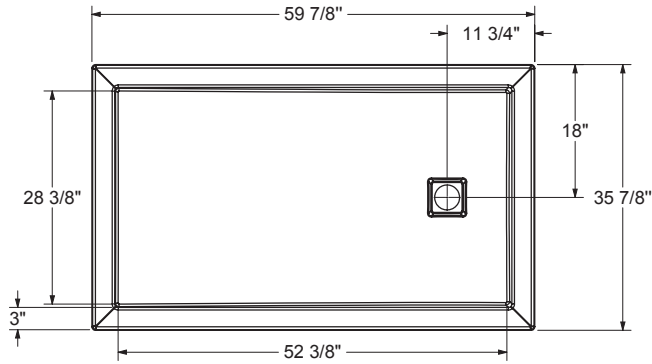
B3Square 6036

Model number: 420006

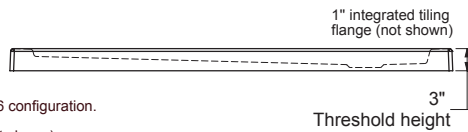
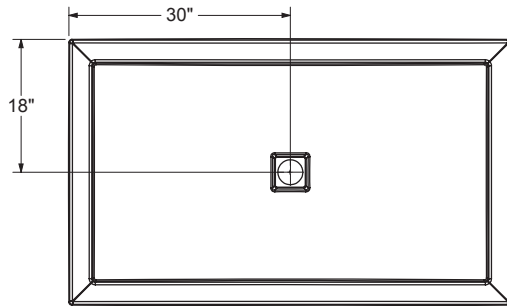
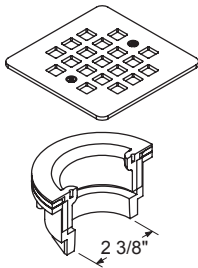
Dimensions: 60" x 36" x 4"

Installation:

Material: Acrylic



DRAIN INCLUDED ON B3 SQUARE ONLY



This technical drawing is universal for every 6036 configuration.

Integrated tiling flange : 1" height x 1/4" thick (not shown)
Tiling flange position is determined by chosen configuration.

All dimensions are approximate. Structure measurements must be verified against the unit to ensure proper fit.

Dimensions:

59 7/8 x 35 7/8 x 4 in.
(1521 x 911 x 102 mm)

Weight:

62 lbs (28 kg)

Shape:

Rectangular

Drain location:

Center

Back End

Left

Right

Project:

Contractor:

Representative:

Date:

Tel:

Notes: