

ALLIA SH-3636 (2-pieces)

Model number:

107007S

Dimensions: 36" x 37" x 79"

Installation: Alcove

Material: Acrylic



Standard Features:

- 2-piece shower with 3 1/4 inch low threshold
- Wide 3-level corner shelves
- Standard : 12 in. white grab bar - Drain & chrome grid
- Center drain, textured floor
- Optional grab bars available (grab bar installed on back wall replaces standard bar)
- All grab bars can support up to 300 lbs
- Available in White only

Product characteristics:

- Made in North America
- Multi-Piece Unit
- Easy Installation

Warranty:

25 Years

Standard colors:



White (001)

Certifications

MAAX products adhere to one or more of the following certifications:



Recommended doors (Visit our website for a complete list of our recommended doors)

No	Description
136448	Kleara 1-panel Pivot Shower Door 29 1/2-31 1/2 x 69 in. 6 mm
105416	Madono Pivot Shower Door 28 1/2-30 1/2 x 67 in. 6 mm
136645	Pivolok Pivot Shower Door 29-30 3/4 x 64 1/2 in.

Options (Visit our website for a complete list of our options)

No	Description
<input type="checkbox"/> OPT 10189	Three wall reinforcement
<input type="checkbox"/> OPT 20055	36 in. curtain rod
<input type="checkbox"/> OPT 20203-B	18" Modern straight horizontal grab bar on back wall
<input type="checkbox"/> OPT 20203-L	18" Modern straight vertical grab bar on left wall
<input type="checkbox"/> OPT 20203-R	18" Modern straight vertical grab bar on right wall

ALLIA SH-3636 (2-pieces)

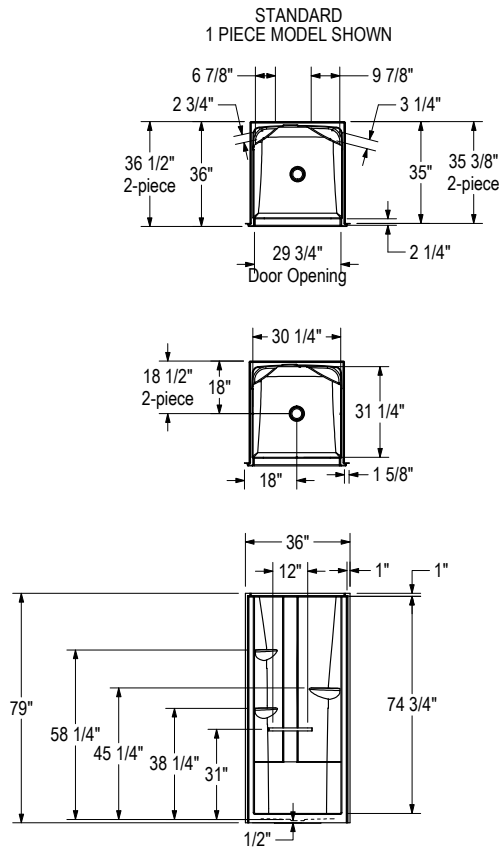
Model number:

107007S

Dimensions: 36" x 37" x 79"

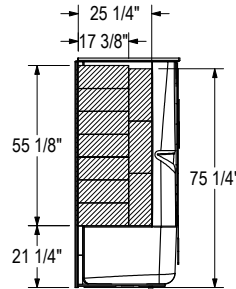
Installation: Alcove

Material: Acrylic

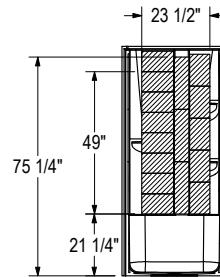


All dimensions are approximate. Structure measurements must be verified against the unit to ensure proper fit.

OPTIONAL REINFORCEMENT
(Left shown, Right symmetrical)



OPTIONAL REINFORCEMENT
(Back Wall)



Dimensions:

36 x 36 1/2 x 79 in.
(914 x 927 x 2007 mm)

Weight:

127 lbs - 58 kg

Shape:

Square

Pieces:

2

Drain location:

No seat, center drain

Project:

Contractor:

Representative:

Date:

Tel:

Notes: