



**BELLINO™**

**BF1136**

**1/2" Pressure Balance Valve With Diverter and Decorative Trim**

**SPECIFICATIONS**

**Features**

- No visible screw
- Water 1/2" male inlet NPT threaded or welded
- Shut-off valves included
- Solid brass construction
- Total adjustment of 19mm (3/4")
- Included support for better stability during installation
- Can be installed back-to-back
- Push-button diverter with automatic or mechanical reset
- PVD finish (Physical Vapour Deposit): A high technology process that protects the surface finish for increased durability

**Colors (Finishes)**

- Chrome : BF1136-110
- Brushed Nickel PVD : BF1136-120

**Certifications**

*The specified model meets or exceeds the following standards;*

- ASME A112.18.1 / CSA B125.1

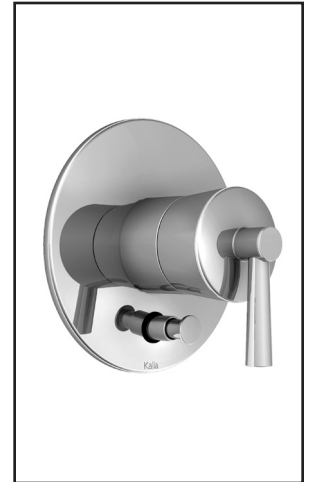


**Packaging**

- **Dimensions:** 362mm x 184mm x 191mm (14 1/4" x 7 1/4" x 7 1/2")
- **Volume:** 0.45 cu ft (0.013 cu m)
- **Total weight:** 4.94 lb (2.24 kg)

**Maximum flow rate**

- 20 liters/min. (5.28 gallons/min.) at 60 psi



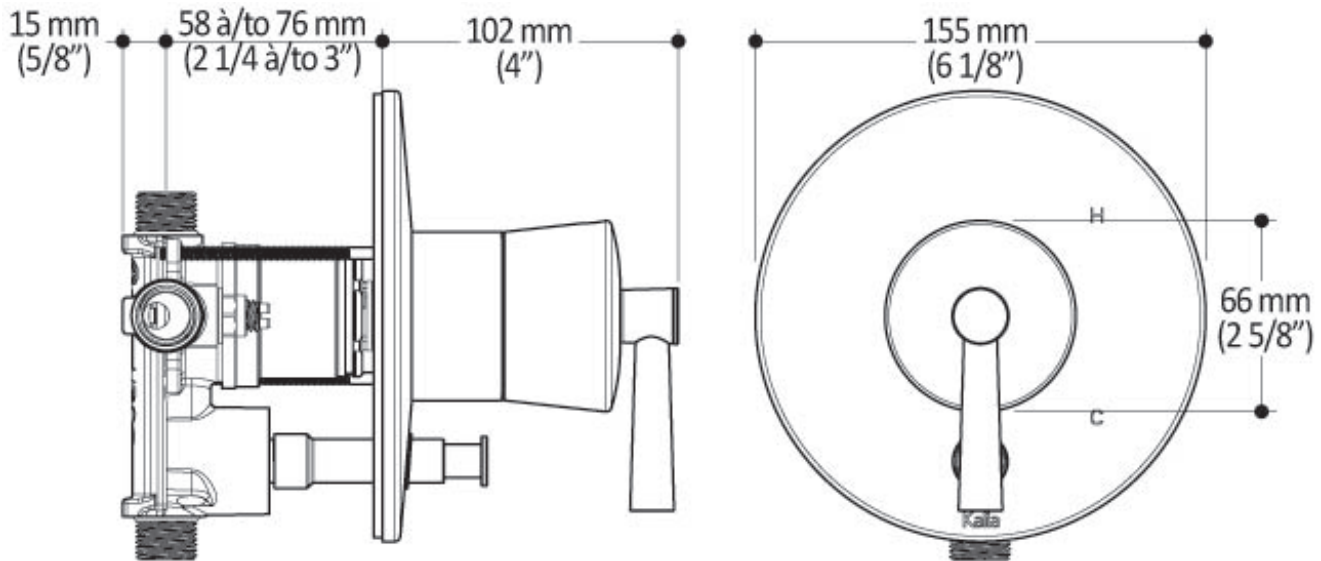
**Installation Notes**

This product must be installed following the installation instructions provided.

**WARRANTY**

Kalia Inc. guarantees all aspects of its products to be free of defects in material and workmanship for normal residential use. **Refer to the warranty included with the Kalia products for details.**

*Product dimensions:*



**Important:** Dimensions are approximated and are subject to changes. Please refer to the installation instructions.

**Kalia inc.**  
1355, 2nd Street  
Sainte-Marie (Quebec)  
Canada G6E 1G9

t. 1-418-387-9090  
1 877 GO KALIA (1-877-465-2542)  
f. 1-418-387-9089  
www.KaliaStyle.com