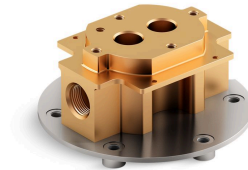


Features

- For use with the Avid freestanding bath filler
- Can be installed without required freestanding bath filler

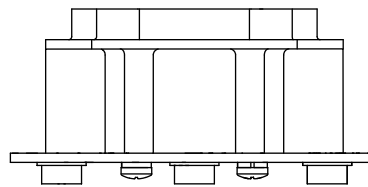
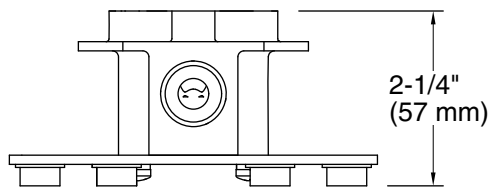
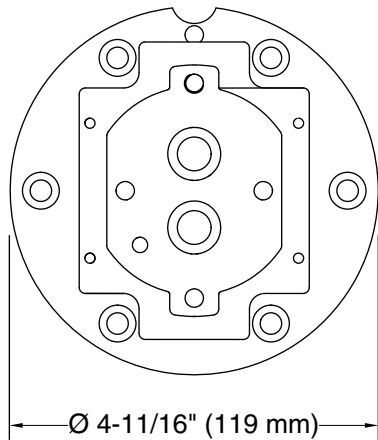


Codes/Standards

ASME A112.18.1/CSA B125.1

KOHLER® Faucet Lifetime Limited Warranty

See website for detailed warranty information.



Technical Information

All product dimensions are nominal.

Drain included: No

Notes

Install this product according to the installation guide.

Adequate floor support is required. The wood support must be a minimum of 2# (51 mm) thick by 6# (152 mm) wide. 2x6 lumber is NOT adequate for this application.

Concrete can be used as the floor support.

Requires 3/16" masonry drill bit and six 1/4" x 1-3/4" concrete screws, not included.