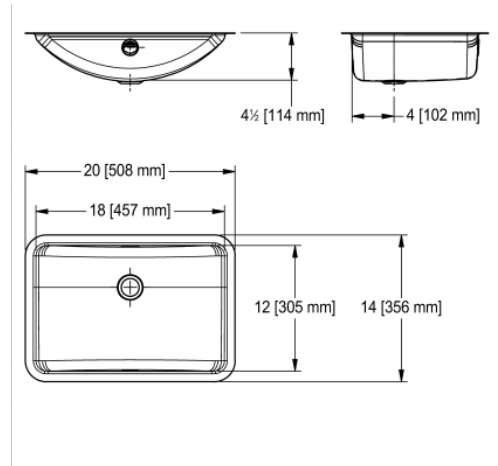


OWB1420U/5

OWB1420U/5 | 2030010121



Single compartment undermount vanity basin. 18 gauge (1.2 mm), type 304 (CNS 18/10) stainless steel. Exposed surfaces are #4 satin finished. Undercoated to reduce condensation and resonance. Includes cutout template. Certified to ASME A112.19.3-2008 / CSAB45.4-08. Center back waste location, accepts 1 1/4" (32 mm) waste assembly (not included), integral overflow at front of bowl.

**TECHNICAL DATA**

type of basin	vanity basin
bowl depth	4 1/2"
Bowl finish	SATIN-FINISHED
Bowl front to back	12"
Bowl left to right	18"
gross weight	5.04 kg
material	STAINLESS-STEEL
material thickness	1/16"
material thickness grade	18 gauge (1.2 mm)
noise prevention	yes
Overall front to back	14"
Overall left to right	20"
overflow	yes
Overflow Location	Front
Cabinet finish	satin finished
type of mounting	undermount
undercoated	yes
waste hole position	centre back
waste kit included	no
waste size	DN 32
net weight	4.34 kg
Faucet ledge	No

**PROJECT INFORMATION**

Item Location \_\_\_\_\_

Project Number \_\_\_\_\_

Quote Number \_\_\_\_\_

Notes \_\_\_\_\_

Engineer's Approval