



CITÉ™

BF1189-XXX-100

PLUS: TCD1 Thermostatic Coaxial Shower System

SPECIFICATIONS



Components included

- BF1378-XXX * : Rainhead and 90° wallarm
- 102850-XXX * : 2-jet handshower
- 101323-XXX * : Wallbar
- 101620-XXX * : 60” flexible and soft PVC hose
- BF1154-XXX * : 1/2” Thermostatic coaxial diverter valve and decorative trim
- 102847-XXX * : Wall outlet

** XXX means that the finish color must be specified.*

Colors (Finishes)

- Chrome : BF1189-110
- Brushed Nickel PVD : BF1189-120

Certifications

The specified model meets or exceeds the following standards;

- ASME A112.18.1 / CSA B125.1



See the following sheets for the technical features of each component.

Installation Notes

This product must be installed following the installation instructions provided.

WARRANTY

Kalia Inc. guarantees all aspects of its products to be free of defects in material and workmanship for normal residential use. **Refer to the warranty included with the Kalia products for details.**

Kalia inc.
1355, 2nd Street
Sainte-Marie (Quebec)
Canada G6E 1G9

t. 1-418-387-9090
1 877 GO KALIA (1-877-465-2542)
f. 1-418-387-9089
www.KaliaStyle.com



BF1378

PLUS: Rainhead and 90° Wallarm

SPECIFICATIONS

Features

- Water 1/2" male inlet NPT
- Diameter of 254mm (10")
- Anti-scale system with soft sprays
- Adjustable orientation swivel
- PVD finish (Physical Vapour Deposit): A high technology process that protects the surface finish for increased durability

Packaging

- **Dimensions:** 406mm x 324mm x 133mm (16" x 12 3/4" x 5 1/4")
- **Volume:** 0.62 cu ft (0.018 cu m)
- **Total weight:** 2.56 lb (1.16 kg)



Maximum flow rate

- 9.5 liters/min. (2.5 gallons/min.) at 80 psi

Colors (Finishes)

- Chrome : BF1378-110
- Brushed Nickel PVD : BF1378-120

Certifications

The specified model meets or exceeds the following standards;

- ASME A112.18.1 / CSA B125.1



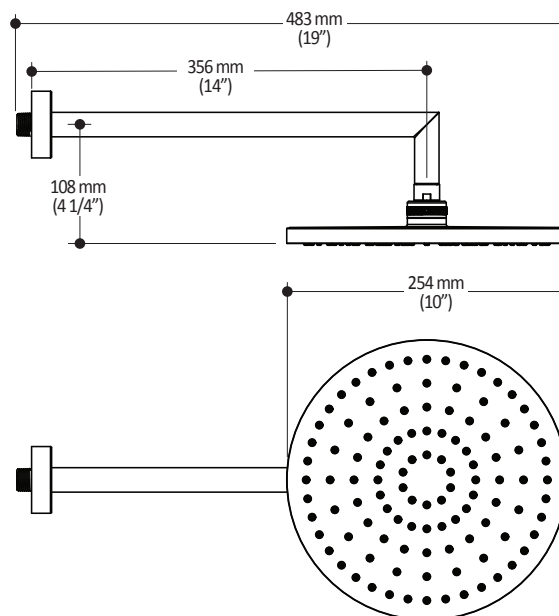
Installation Notes

This product must be installed following the installation instructions provided.

WARRANTY

Kalia Inc. guarantees all aspects of its products to be free of defects in material and workmanship for normal residential use. **Refer to the warranty included with the Kalia products for details.**

Product dimensions:



Important: Dimensions are approximated and are subject to changes. Please refer to the installation instructions.

Kalia inc.
1355, 2nd Street
Sainte-Marie (Quebec)
Canada G6E 1G9

t. 1-418-387-9090
1 877 GO KALIA (1-877-465-2542)
f. 1-418-387-9089
www.KaliaStyle.com



102850

PLUS: 2-Jet Handshower

SPECIFICATIONS

Features

- Diameter of 121mm (4 3/4")
- Anti-scale system with soft sprays
- Water G1/2 male inlet
- 2 direct positions and 1 shared position
- PVD finish (Physical Vapour Deposit): A high technology process that protects the surface finish for increased durability

Colors (Finishes)

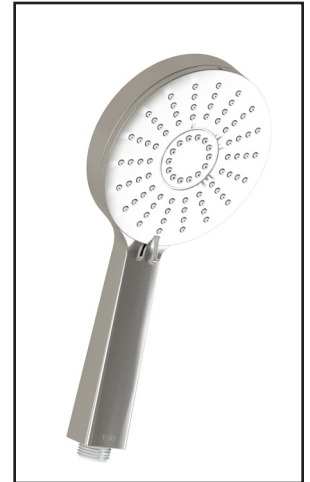
- Chrome : 102850-110
- Brushed Nickel PVD : 102850-120

Packaging

- **Dimensions:** 349mm x 171mm x 178mm (13 3/4" x 6 3/4" x 7")
- **Volume:** 0.375 cu ft (0.01 cu m)
- **Total weight:** 0.69 lb (0.315 kg)

Maximum flow rate

- 9.5 liters/min. (2.5 gallons/min.) at 80 psi



Certifications

The specified model meets or exceeds the following standards;

- ASME A112.18.1 / CSA B125.1



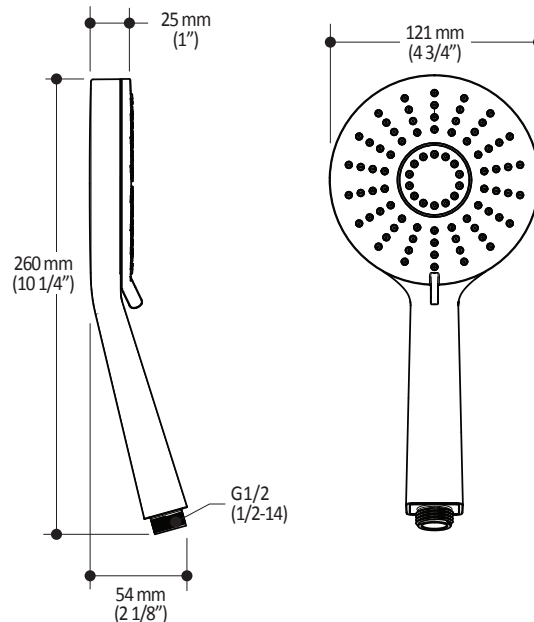
Installation Notes

This product must be installed following the installation instructions provided.

WARRANTY

Kalia Inc. guarantees all aspects of its products to be free of defects in material and workmanship for normal residential use. **Refer to the warranty included with the Kalia products for details.**

Product dimensions:



Important: Dimensions are approximated and are subject to changes. Please refer to the installation instructions.

Kalia inc.
1355, 2nd Street
Sainte-Marie (Quebec)
Canada G6E 1G9

t. 1-418-387-9090
1 877 GO KALIA (1-877-465-2542)
f. 1-418-387-9089
www.KaliaStyle.com

**Features**

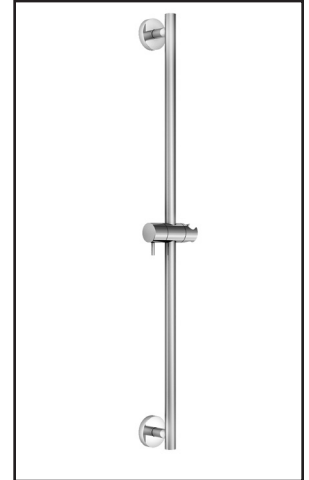
- Total height of 762mm (30")
- Locking system of 1/4 turn
- PVD finish (Physical Vapour Deposit): A high technology process that protects the surface finish for increased durability

Colors (Finishes)

- Chrome : 101323-110
- Brushed Nickel PVD : 101323-120

Packaging

- **Dimensions:** 832mm x 152mm x 89mm
(32 3/4" x 6" x 3 1/2")
- **Volume:** 0.40 cu ft (0.011 cu m)
- **Total weight:** 1.9 lb (0.86 kg)

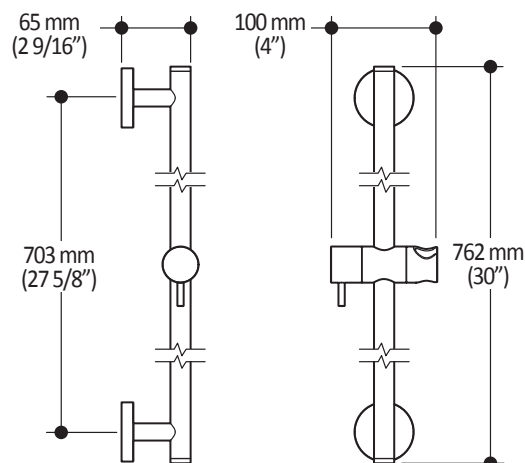
**Installation Notes**

This product must be installed following the installation instructions provided.

WARRANTY

Kalia Inc. guarantees all aspects of its products to be free of defects in material and workmanship for normal residential use. **Refer to the warranty included with the Kalia products for details.**

Product dimensions:



Important: Dimensions are approximated and are subject to changes. Please refer to the installation instructions.

Kalia inc.
1355, 2nd Street
Sainte-Marie (Quebec)
Canada G6E 1G9

t. 1-418-387-9090
1 877 GO KALIA (1-877-465-2542)
f. 1-418-387-9089
www.KaliaStyle.com

**Features**

- No visible screw
- Water 1/2" male inlet NPT threaded or welded
- Shut-off valves included
- Solid brass construction
- Total adjustment of 19mm (3/4")
- Ceramic cartridge
- Included support for better stability during installation
- Possibility of 3 components (3 direct positions and 2 shared positions)
- 1 small handle used to adjust the temperature
- 1 handle used to select a component
- PVD finish (Physical Vapour Deposit): A high technology process that protects the surface finish for increased durability

Colors (Finishes)

- Chrome : BF1154-110
- Brushed Nickel PVD : BF1154-120

Certifications

The specified model meets or exceeds the following standards;

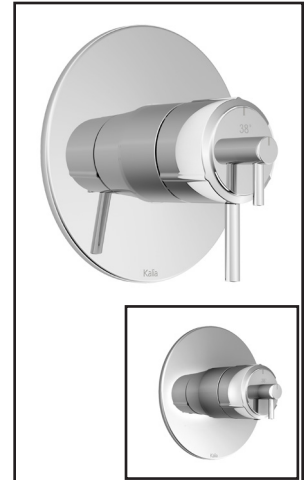
- ASME A112.18.1 / CSA B125.1

**Packaging**

- **Dimensions:** 362mm x 184mm x 191mm (14 1/4" x 7 1/4" x 7 1/2")
- **Volume:** 0.45 cu ft (0.013 cu m)
- **Total weight:** 4.96 lb (2.25 kg)

Maximum flow rate

- 40 liters/min. (10.56 gallons/min.) at 60 psi

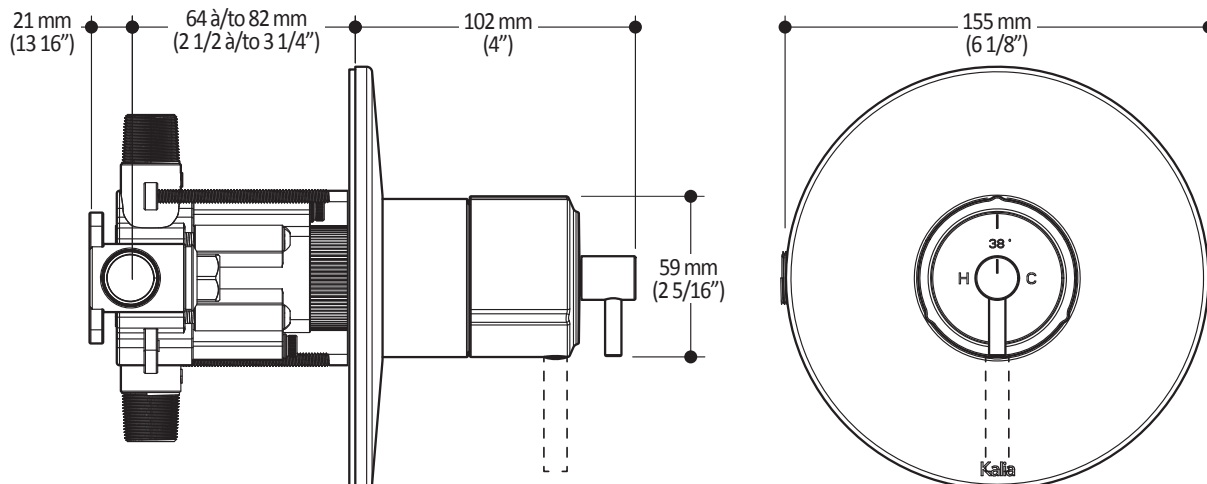
**Installation Notes**

This product must be installed following the installation instructions provided.

WARRANTY

Kalia Inc. guarantees all aspects of its products to be free of defects in material and workmanship for normal residential use. **Refer to the warranty included with the Kalia products for details.**

Product dimensions:



Important: Dimensions are approximated and are subject to changes. Please refer to the installation instructions.

Kalia inc.
1355, 2nd Street
Sainte-Marie (Quebec)
Canada G6E 1G9

t. 1-418-387-9090
1 877 GO KALIA (1-877-465-2542)
f. 1-418-387-9089
www.KaliaStyle.com



102847 Wall Outlet

SPECIFICATIONS

Features

- Water 1/2" NPT (male or female) inlet
- Water G1/2 male outlet
- Solid brass construction
- PVD finish (Physical Vapour Deposit): A high technology process that protects the surface finish for increased durability

Colors (Finishes)

- Chrome : 102847-110
- Brushed Nickel PVD : 102847-120

Certifications

The specified model meets or exceeds the following standards;

- ASME A112.18.1 / CSA B125.1



Packaging

- **Dimensions:** 305mm x 117mm x 92mm (12" x 4 5/8" x 3 5/8")
- **Volume:** 0.12 cu ft (0.003 cu m)
- **Total weight:** 0.40 lb (0.18 kg)



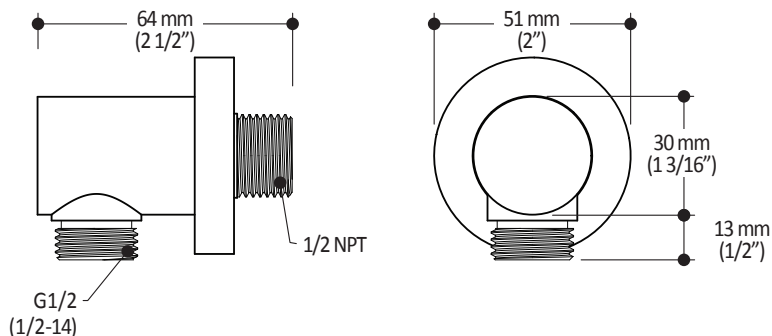
Installation Notes

This product must be installed following the installation instructions provided.

WARRANTY

Kalia Inc. guarantees all aspects of its products to be free of defects in material and workmanship for normal residential use. **Refer to the warranty included with the Kalia products for details.**

Product dimensions:



Important: Dimensions are approximated and are subject to changes. Please refer to the installation instructions.

Kalia inc.
1355, 2nd Street
Sainte-Marie (Quebec)
Canada G6E 1G9

t. 1-418-387-9090
1 877 GO KALIA (1-877-465-2542)
f. 1-418-387-9089
www.KaliaStyle.com