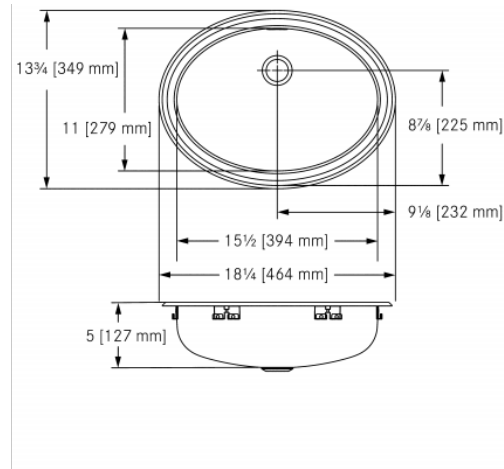


VANITY BASIN: V1418/5

V1418/5 | 2000102518



Single compartment self rimming vanity basin less faucet ledge. 18 gauge (1.2 mm), type 304 (CNS 18/10) stainless steel. Mirror finished rim, #4 satin finished bowl. Undercoated to reduce condensation and resonance. Includes factory applied rim seal, cutout template, and installation hardware. Certified to ASME A112.19.3-2008 / CSAB45.4-08.

Wheelchair accessible: meets ADA (Americans with disabilities act guidelines), ANSI A117.1 (Accessible and usable buildings and facilities), and CSAB651-04 (Accessible design for the built environment). Check local codes to ensure compliance.

Center back waste location, accepts 1 1/4" (32 mm) waste assembly (not included).

Model Option:

V1418/5D - Center back waste location. Includes 1 1/2" (38 mm) duplex waste assembly with rubber stopper.

TECHNICAL DATA

| | |
|----------------------------|--------------------------------|
| type of basin | vanity basin |
| bowl depth | 5" |
| Bowl finish | Satin finished |
| Bowl front to back | 11" |
| Bowl left to right | 15 1/2" |
| gross weight | 3.51 kg |
| material | Stainless steel |
| material code | 1.4301 Chrome Nickel steel V2A |
| material thickness grade | 18 gauge (1.2 mm) |
| overall depth (front-back) | 13 3/4" |
| overall width (left-right) | 18 1/4" |
| overflow | no |
| Faucet ledge | No |
| type of waste kit | optional grid strainer |
| undercoated | yes |
| Waste hole position | centre back |
| waste size | DN 32 |
| net weight | 2.81 kg |
| Wheelchair compliant | Yes |

PROJECT INFORMATION

Item Location _____

Project Number _____

Quote Number _____

Notes _____

Engineer's Approval