

## Eco Drake® Close Coupled Toilet, ADA, 1.28GPF

### FEATURES

- E-Max® flushing system, low consumption (1.28GPF/4.8LPPF)
- Universal Height
- ADA compliant
- Two-piece design with high-profile tank
- Elongated front bowl and tank set, less seat
- Chrome trip lever
- 12" Rough-in, supply line sold separately

### MODELS

- CST744EL  
Elongated bowl, 12" rough-in, less seat
- CST744ELR\*  
Same as CST744EL with right hand trip lever (special order)
- CST744ELB\*  
Same as CST744EL with bolt-down tank lid (special order) (#01 Cotton only)
- CST744ELRB\*  
Same as CST744EL with right hand trip lever and bolt-down tank lid (special order) (#01 Cotton only)

### COMPONENTS

- C744EL - Elongated Front Bowl
- ST743E - Tank and Cover only - Left-hand trip lever
- ST743ER - Tank and Cover only - Right-hand trip lever
- ST743EB - Tank and Cover only - bolt-down tank lid (#01 Cotton only)
- ST743ERB - Tank and Cover only - Right-hand trip lever and bolt-down tank lid (#01 Cotton only)
- SS114 SoftClose® seat (sold separately)
- SS204 SoftClose® seat (sold separately)
- SC134 commercial seat (sold separately)
- SC534 commercial seat (sold separately)

### COLORS/FINISHES

- #01 Cotton
- #03 Bone
- #11 Colonial White
- #12 Sedona Beige
- #51 Ebony

### PRODUCT SPECIFICATION

The two-piece E-Max flushing system toilet shall be 1.28GPF/4.8LPPF. Toilet shall be universal height and ADA compliant. Toilet shall have high-profile tank, elongated front bowl and chrome trip lever. Toilet shall be TOTO Model CST744EL\_\_\_\_\_.



**E+** E-Max

### CODES/STANDARDS

- Meets and exceeds ASME A112.19.2/CSA B45.1
- Certifications: IAPMO(cUPC), EPA Watersense, State of Massachusetts, City of Los Angeles, and others
- Code compliance: UPC, IPC, NSPC, NPC Canada, and others
- Legislative Compliance: California AB715, California Green Building Code, City of Los Angeles Water Efficiency Ordinance
- ADA compliant (when installed with trip lever located on the approach side)
- Complies with CA Prop 65 warning requirements



# CST744EL

## Eco Drake® Close Coupled Toilet, ADA, 1.28GPF

### SPECIFICATIONS

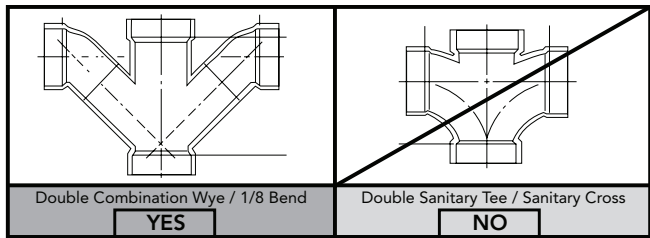
- Water Use 1.28 GPF/4.8LPF
- Flush System E-Max
- Min. Water Pressure 8 psi (static)
- Water Surface 10-3/8" x 8-1/4"
- Trap Diameter 2-1/8"
- Rough-in 12"
- Trap Seal 2-3/8"
- Warranty One Year Limited Warranty
- Material Vitreous china
- Shipping Weight C744EL - 56.5lbs  
ST743E(R)(B) - 35lbs
- Shipping Dimensions C744EL  
29-1/2" L x 16" W1  
x 10-1/4" W2 x 18-1/4" H

ST743E(R)(B)  
20-1/8" L x 8-1/4" W  
x 15-1/2" H

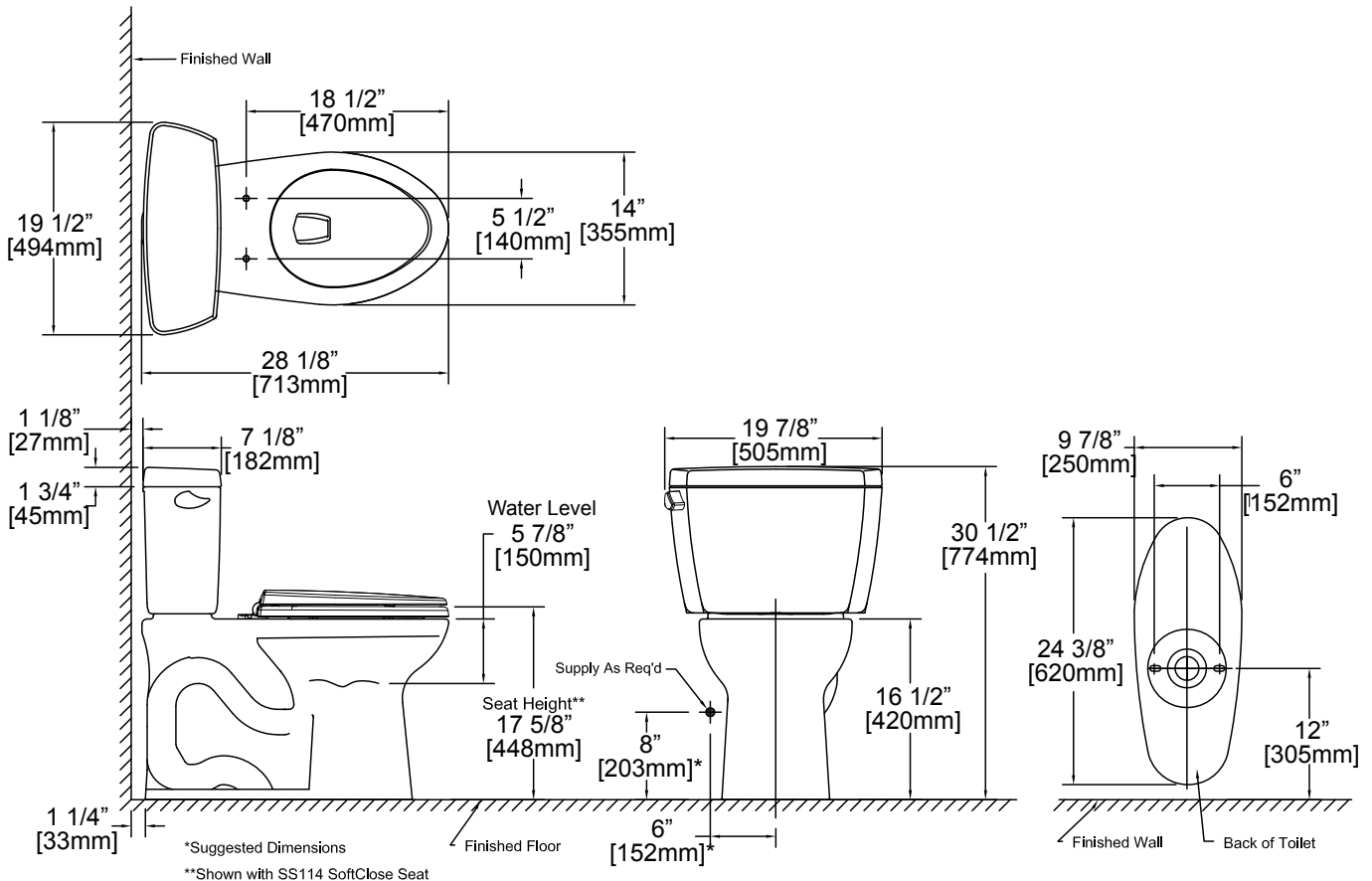
### INSTALLATION NOTES

#### Back-to-Back Toilet Installations:

TOTO recommends the use of a nationally listed, double sanitary tee-wye only, in vertical waste stacks, in accordance with the stipulations noted in the majority of nationally recognized plumbing codes.



To maintain adequate wall gap between the back of the tank and wall, mount the floor flange at a nominal 12" rough-in distance.



**TOTO**

CST744EL(SL)  
These dimensions and specifications are subject to change without notice