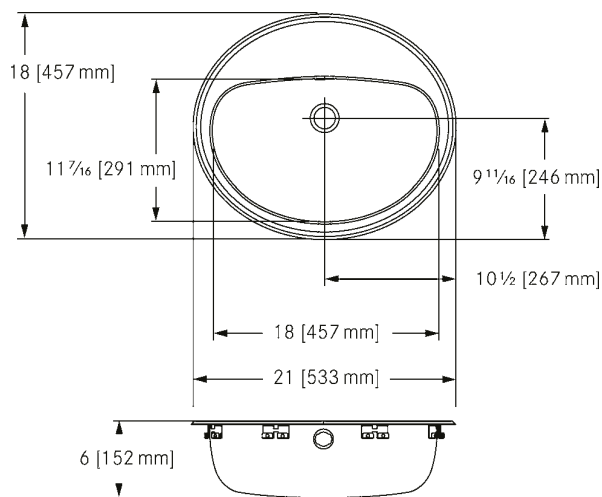


## OV1821-6-3 Vanity with ledge, overflow | 214.0493.219



Single compartment self rimming vanity basin with faucet ledge. 18 gauge (1.2 mm), type 304 (CNS 18/10) stainless steel. Mirror finished rim, #4 satin finished bowl. Undercoated to reduce condensation and resonance. Includes factory applied rim seal, cutout template, and installation hardware. Certified to ASME A112.19.3-2008 / CSA B45.4-08. Centre back waste location, accepts 1 1/4" (32 mm) waste assembly (not included), integral overflow at front of bowl. 3 faucet holes, 1 1/8" (28 mm) diameter, 4" (102 mm) centreset. 18 x 21" Overall. 11 7/16 x 18 x 6" Bowl. (FB x LR x D). 457 x 533 mm Overall. 291 x 457 x 152 mm Bowl. (FB x LR x D).

### Product Dimensions

Overall front to back	17.992
Overall left to right	20.984
Bowl dimension front to back	11.457
Bowl dimension left to right	17.992
Bowl depth	5.984

### Installation

Installation type	Topmount
Installation system	EZ Claw

### Product specifications

Gauge	18
Wheelchair accessibility	Yes
Certification	cUPC
Type of material	Type 304
Material code	CNS 18/10
Surface finish	Mirror rim, satin bowl
Number of bowls	1
Faucet ledge position	Yes
Number of faucet holes	3
Waste location	Center back
Waste size	1 1/4" (32mm)

### Product identification

Model	OV1821-6-3
Product brand	FRANKE
Product category	Vanity basins

### Features

Overflow location

Yes

Waste assembly

Not included