



Buy it for looks. Buy it for life.®

Specifications

DESCRIPTION

- Metal construction with various finishes identified by suffix
- 1/2" IPS connections
- Includes hot and cold indicators
- Includes pop-up type waste assembly

OPERATION

- Lever style handles
- Maximum handle rotation angle is 90° to full on for either handle
- Rotate hot side handle counterclockwise to open and clockwise to close
- Rotate cold side handle clockwise to open and counterclockwise to close


FLOW

- Water usage is limited to these maximum flow rates as indicated by the corresponding product markings
 - 1.2 gpm max (4.5L/min) at 60 psi
 - 1.5 gpm max (5.7L/min) at 60 psi

CARTRIDGE

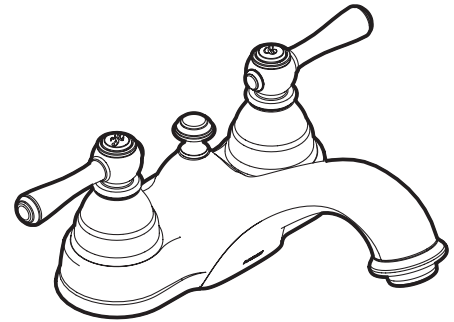
- 1224 cartridge design with nonmetallic and stainless steel materials

STANDARDS

- Third party certified to WaterSense®, ASME A112.18.1/CSA B125.1, and all applicable requirements referenced therein including NSF61/9 & 372
- Products marked with 1.2 gpm are compliant with California water efficiency regulations
- Complies with California Proposition 65 and with the Federal Safe Drinking Water Act
- **ADA**  for lever handles

WARRANTY

- Lifetime limited warranty against leaks, drips and finish defects to the original consumer purchaser
- 5 year warranty if used in commercial installations

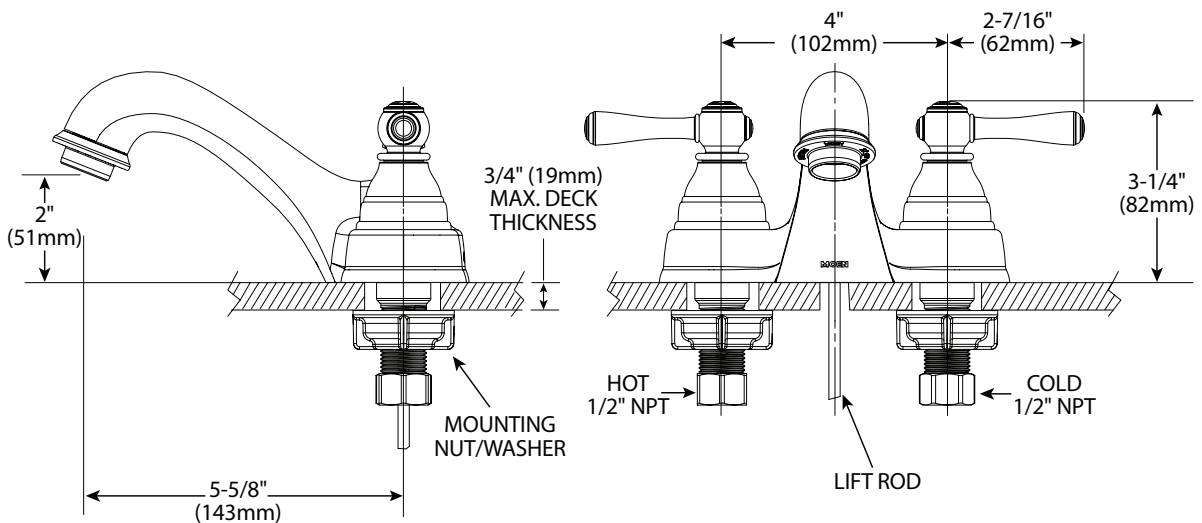


KINGSLEY™
Two-Handle Lavatory Faucet

Models: 6101 Series

Discontinued Model: 6101P

NOTE: THIS FAUCET IS DESIGNED TO BE INSTALLED THROUGH 3 HOLES, 1" (25MM) MIN. DIA.



CRITICAL DIMENSIONS

(DO NOT SCALE)