

Compression Facemount Tub and Shower

Suggested Specifications

14F525; 14F526; 14F625-1

One piece valve body mechanism that is attached to a wall mount template. Hot and cold stem units shall be of the rotating compression type and shall be equipped with replaceable chrome-plated seats. All operating parts shall be replaceable from the front. The valve body assembly will also be replaceable from the front. All hand shower models shall be supplied with a wall bracket, 69" hose and flow control hand.

14F526

Same as **14F525** but with Acrylic handles

Showerhead: 9 litres per minute maximum (2.1 IPGM) with brass ball

14F625-1

Same as **14F525** but with Acrylic handles

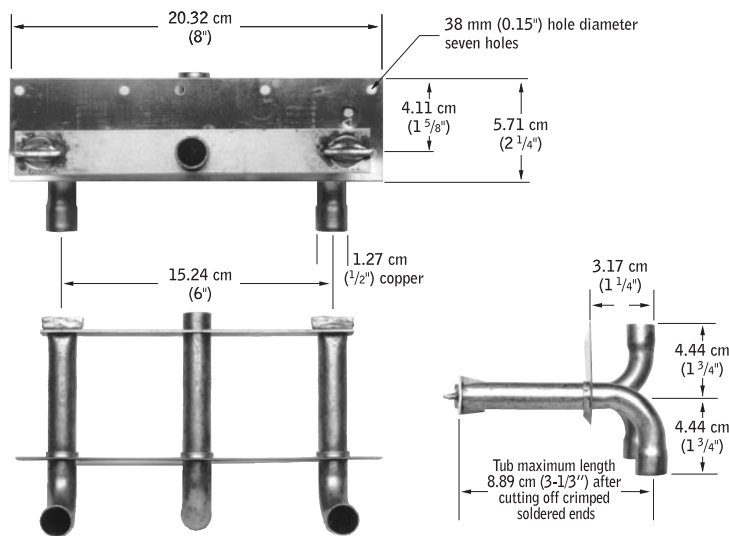
14F501

Same as **14F525** but less arm, flange and rough-in subassembly

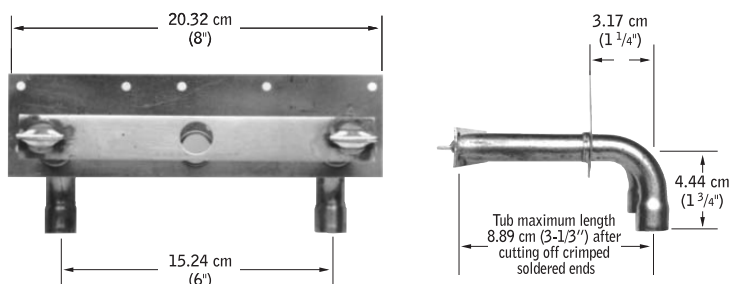
17W651

Tub filler for tub on legs. Tub should be fitted with a 2.54 cm (1") min. hole.

14WF324



17WF324

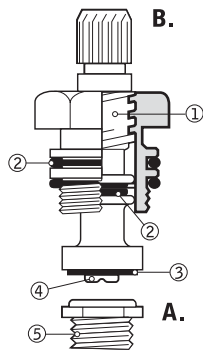


17W651



96100 Brass Structure

1. Acme threads engaged at all times for long life. Lubrication lasts and water is sealed out.
2. Buna N Nitrile "O" Ring Seal Radial Seal "O" Ring
3. Buna N Nitrile seat washer
4. Stainless steel screw
5. Nickel chrome-plated renewable brass seats



Note: A. 5/16" female hex drive removeable seat
B. 13/16" across flat wrench size of cartridge

WALTEC[®]
By / Par Delta
A Division of Masco Canada Limited

Delta Faucet Canada
395 Matheson Blvd. East
Mississauga, Ontario L4Z 2H2
www.deltafaucet.com