

## AXOR ShowerCollection

### Basic Set, Axor ShowerCollection Light/Speaker Modules, 5" x 5"

Finishes : n.a. Part no. : 40876180



#### Description

##### Features

- Can be installed in both a horizontal and vertical position
- In the case of a joined or dimensionally accurate installation the installation plate no.10973180 is required

##### Required accessories

- Axor ShowerCollection Light Module, 5"x5" (#40871USA)
- Axor ShowerCollection Speaker Module, 5"x5" (#40874USA)

##### Optional accessories

- Axor ShowerCollection Mounting Plate (#10973XXX)

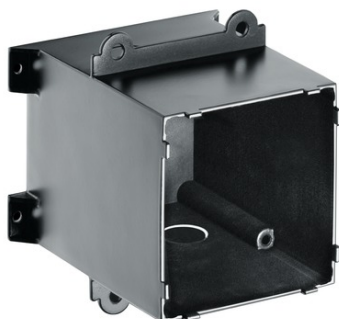
#### Item details

List Price \$ 120.00

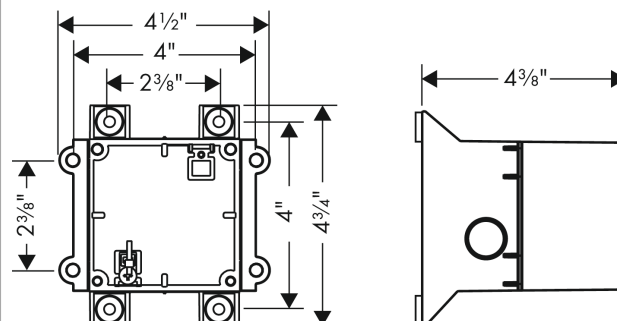
#### Compliance



#### Product image



#### Scale drawing



## AXOR ShowerCollection

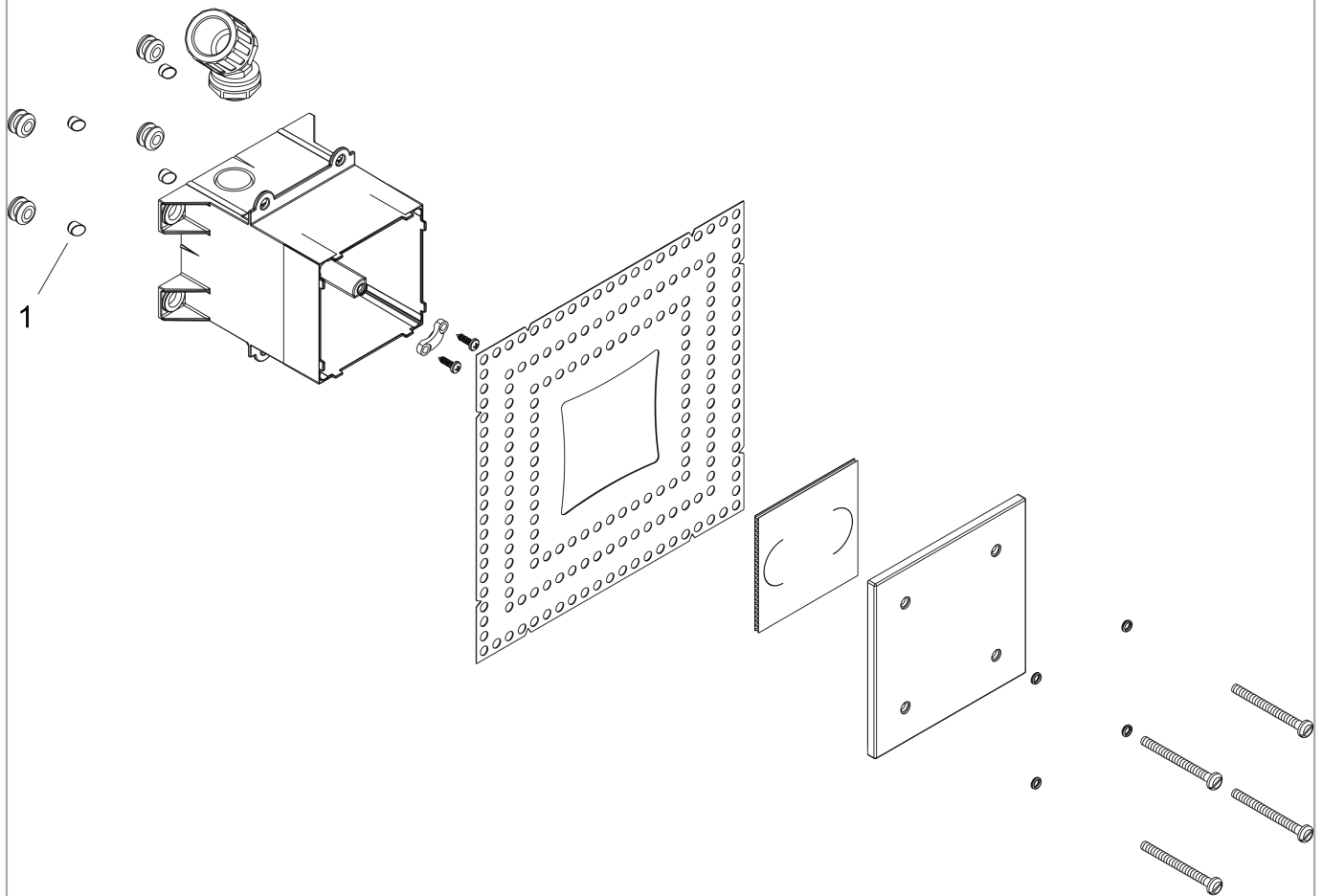
Basic Set, Axor ShowerCollection Light/Speaker Modules, 5" x 5"

Finishes : n.a. Part no. : 40876180



### Exploded drawing

Year of production: >09/09



## AXOR ShowerCollection

Basic Set, Axor ShowerCollection Light/Speaker Modules, 5" x 5"

Finishes : n.a. Part no. : 40876180



### Spare parts list

Year of production: >09/09

Pos.	Description	Part no.	Price	PU
1	screw cover	96460000	-	1