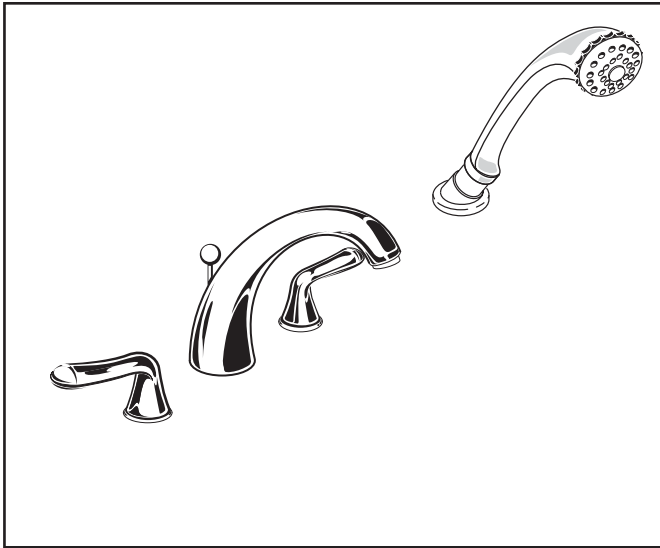


# American Standard

## Colony Soft

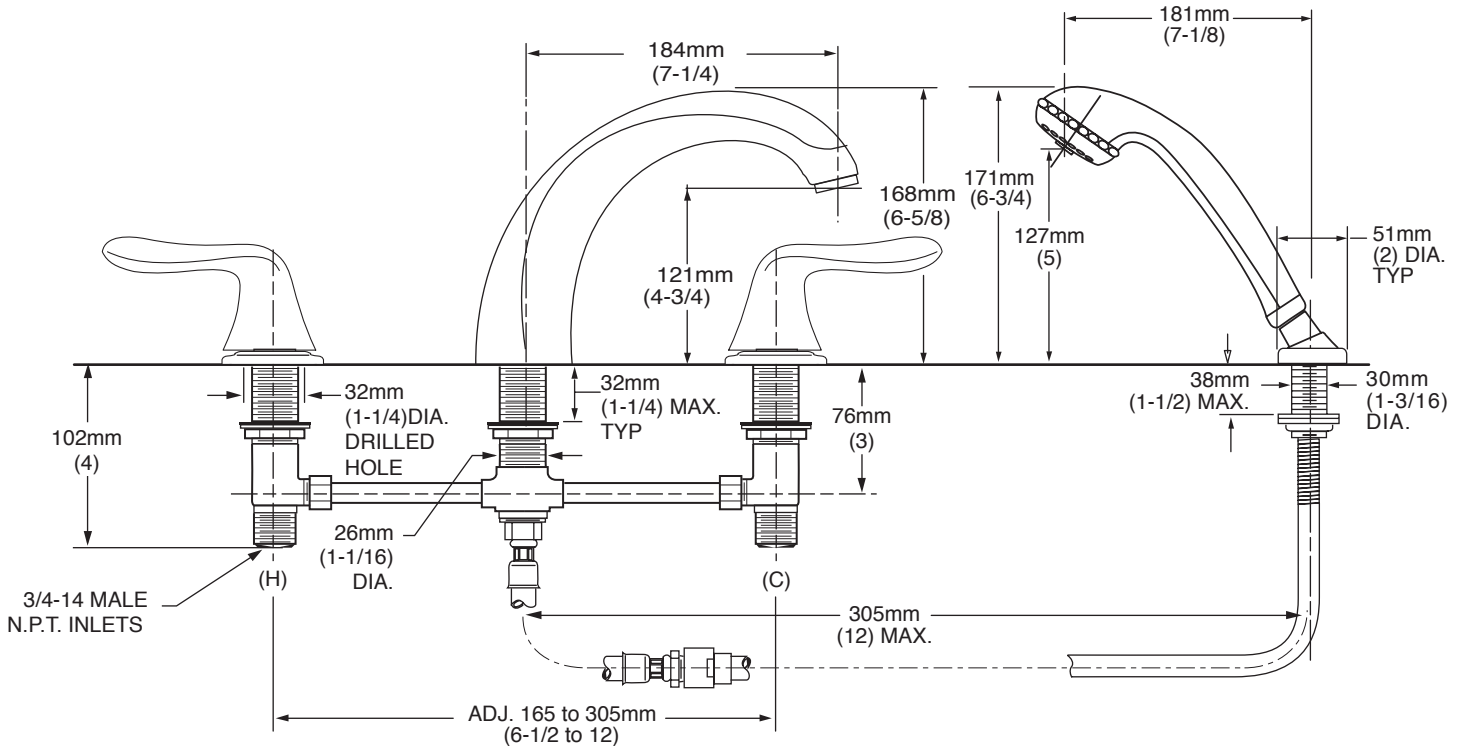
### DECK-MOUNT BATH FILLER WITH BRASS CRESCENT SPOUT



3985 901 Shown

#### MODEL NUMBER:

- ☐ **3985 900 Deck-Mount Bath Filler**  
Metal Lever handles.
- ☐ **3985 901 With Built-in Diverter**  
Metal Lever handles with Handshower



#### GENERAL DESCRIPTION:

Durable cast brass spout. Rigid brass and copper waterway below deck provided, adjustable from 6-1/2" to 12" (165-305mm) installations. Brass valve bodies with 3/4" NPT inlets. 1/4 turn washerless ceramic disc valve cartridges - reversible for use with lever handles. Personal shower features 6'-6" (1981mm) long hose with 1'-6" (457mm) long heavy duty extension hose and 5' (1524mm) decorative hose with 2.15 gpm/9.5L/min. flow restrictor.

#### PRODUCT FEATURES:

**Brass Construction:** Durable. Ideal for prolonged contact with water. Provides the finest surface for application of finishes.

**Ceramic Disc Valve Cartridges:** Assures a lifetime of drip-free performance.

**Exclusive Handle Alignment System:** Allows fine tuning of handle position.

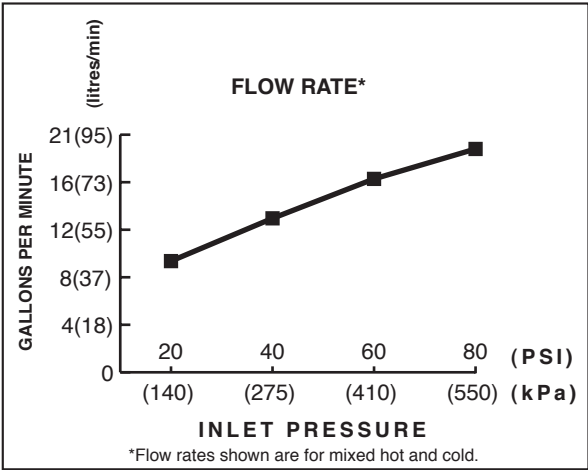


**Colony Soft**  
**DECK-MOUNT BATH FILLER**  
**WITH BRASS CRESCENT SPOUT**

**CODES AND STANDARDS**

These products meet or exceed the following codes and standards:

- NSF14**
- ASME A112.18.1M**
- CSA B125**



Product Number	Description	Finish Options
		Polished Chrome
		002
3985 900	Deck mount bath filler. Metal Lever handles.	
3985 901	With built-in diverter. With handshower. Metal Lever handles.	

Meets the American Disabilities Act Guidelines and **ANSI A117.1** Requirements for the physically challenged.