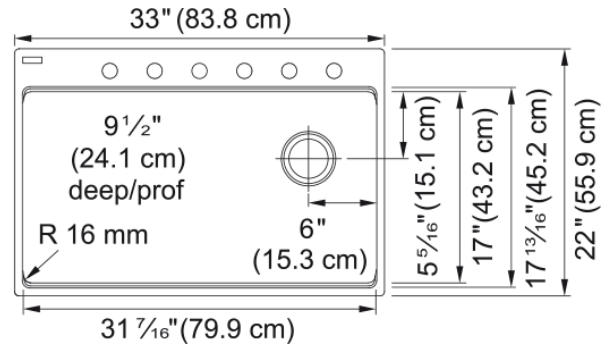


# Maris Topmount Sink MAG61031OW-PWT-S | 114.0637.921



## Technical Data

### Aspect

Sink type	Sink
Type of material	Granite
Number of bowls	1
Color	Polar white
Finish	None

### Product Dimensions

Exterior size: right to left	33
Exterior size: front to back	22
Large bowl size: right to left	31.457
Large bowl size: front to back	17.154
Large bowl: depth	9.5

### Installation

Minimum cabinet size	36"
----------------------	-----

### Product specifications

Installation type	Topmount / drop in
Drain hole	3 1/2"
Position of drainer	No drainer

### Product identification

Product brand	FRANKE
Product family	Maris
Collection	Maris
Certified by	CUPC

### Features

Drainers number	No drainer
Product reversibility	No
Faucet ledge	Yes
Strainer assembly included	Yes

## Features

Strainer assembly type	Manual
Overflow	No
Number of faucet holes	6 - pre-scored
Soap dispenser hole	No