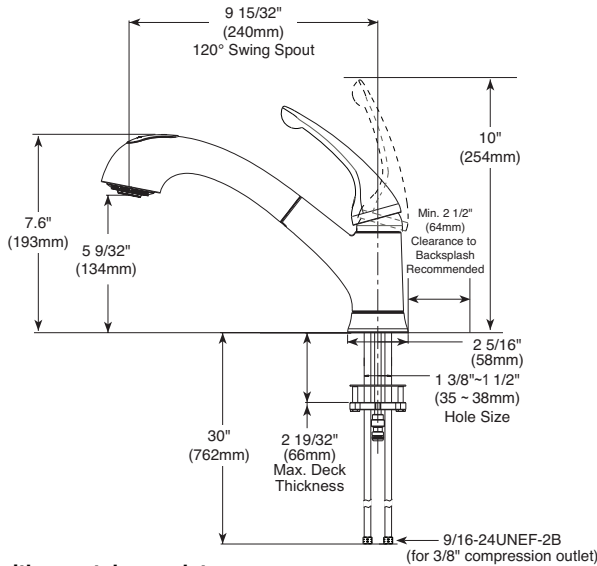


469LF▲

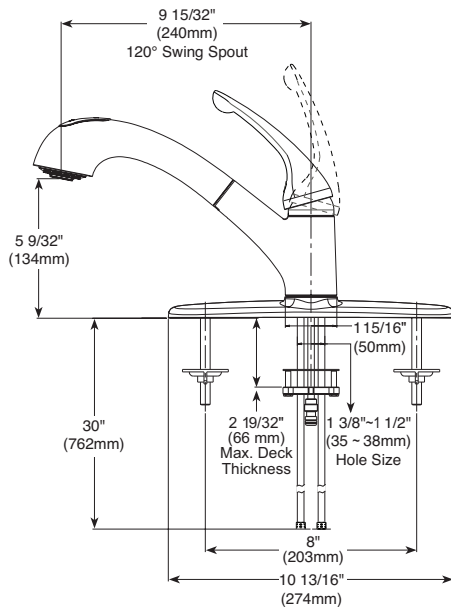
Submitted Model No.: _____

Specific Features: _____

Mounting without escutcheon plate:



Mounting with escutcheon plate:



▲ Designate proper finish suffix

Delta reserves the right (1) to make changes in specifications and materials, and (2) to change or discontinue models, both without notice or obligation. Dimensions are for reference only. See current full-line price book or www.specselect.com for finish options and product availability.



KITCHEN FAUCETS

- Single Handle Deck Mount
- Single or 3 Hole Sink Applications
- 2-Function Pull-Out
- Integrated Flexible Supply Lines

STANDARD SPECIFICATIONS:

- Centermount or 8" (203 mm) centers with optional escutcheon included.
- 9 15/32" (240.2 mm) long pull-out spout swings 120° and operates in either spray or aerate mode. Spout is connected to valve body with a 42" (1067 mm) hose.
- All operating parts shall be replaceable from the top.
- 30" (762 mm) flexible supply lines included.
- Lever handle control mechanism is the rotating stainless steel ball type with replaceable non-metallic seats.
- Control button shall return to neutral position when valve is turned off.
- Integral double check valves in spout.
- 3/8" female compression adaptors.
- Touch-Clean® spray head.
- Max. flow rate 1.8 gpm @ 60 psi (6.8 L/min @ 414 kPa)

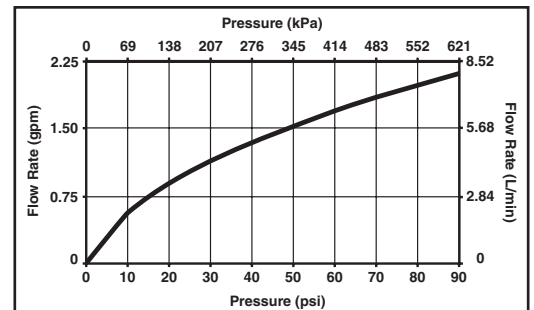
WARRANTY

- Lifetime Faucet and Finish Limited Warranty to the original consumer purchaser to be free from defects in material and workmanship.
- 5 Year Limited Warranty for usage in all industrial, commercial and business applications.



COMPLIES WITH:

- CSA certified
- ASME A112.18.1 / CSA B125.1
- Indicates ADA compliance to ICC/ANSI A117.1
- Verified compliant with 0.25% weighted average Pb content regulations.



55 E. 111th Street, Indianapolis, Indiana 46280
 350 South Edgevare Road, St. Thomas, ON N5P 4L1
 © 2015 Masco Corporation of Indiana