

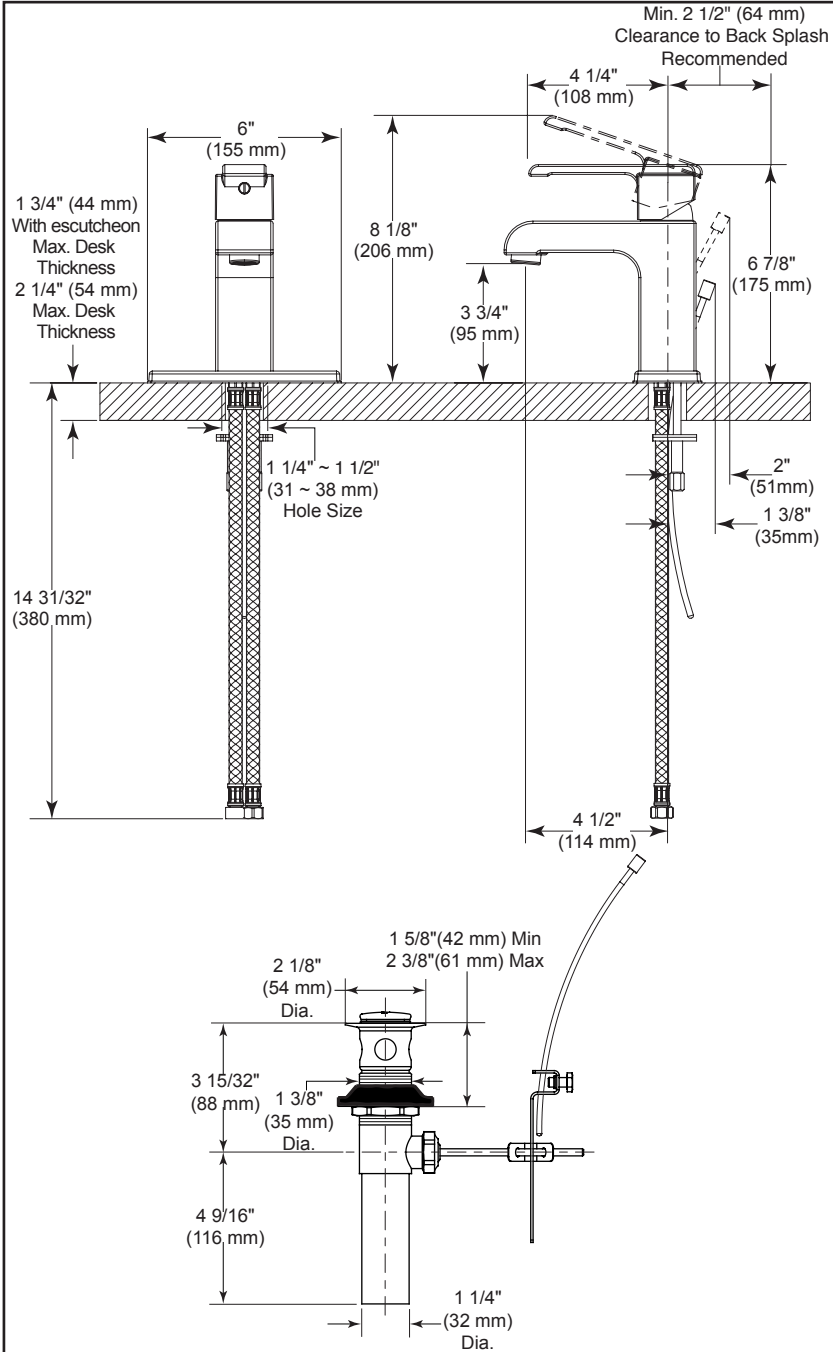
# LAVATORY FAUCETS

- Arzo® Series
- Single Handle Deck Mount
- 1 or 3 Hole Sink Applications

Submitted Model No.: \_\_\_\_\_  
 Specific Features: \_\_\_\_\_

## STANDARD SPECIFICATIONS:

- Maximum flow rate 1.5 gpm @ 60 PSI, 5.7 L/min @ 414 kPa.
- Ceramic cartridge with high temperature rotational limit stop.
- 1 or 3 hole installation.
- 4 1/2" (114 mm) long, 6 7/8" (175 mm) high, rigid spout.
- Maximum 2 1/4" (54 mm) deck thickness.
- Colour coded plug button on handle for hot/cold identification.
- Handle 4 1/4" (108 mm) lever handle - ADA compliant - color indexed.
- Metal drain pop-up type fitting with plated flange and stopper.



## WARRANTY

- Lifetime limited warranty on parts (other than electronic parts and batteries) and finishes; or for commercial users, for 5 years from the date of purchase.
- 5 year limited warranty on electronic parts (other than batteries); or for commercial users, for 1 year from the date of purchase. No warranty is provided on batteries.



## COMPLIES WITH:

- ASME A112.18.1 / CSA B125.1
- ASME A112.18.2 / CSA B125.2
- Indicates compliance to ICC/ANSI A117.1
- EPA WaterSense®
- Verified compliant with 0.25% weighted average Pb content regulations.

### ▲ Designate proper finish suffix

Delta reserves the right (1) to make changes in specifications and materials, and (2) to change or discontinue models, both without notice or obligation. Dimensions are for reference only. See current full-line price book or [www.deltafaucet.com](http://www.deltafaucet.com) for finish options and product availability.

