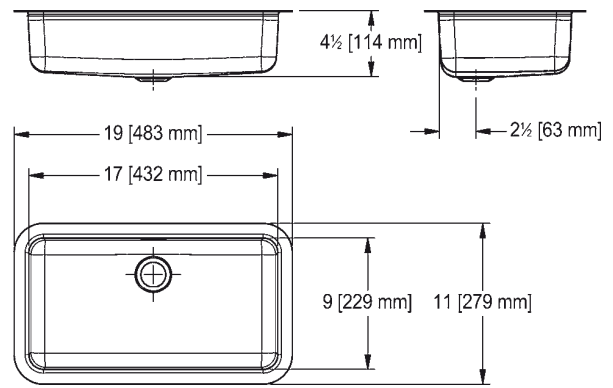
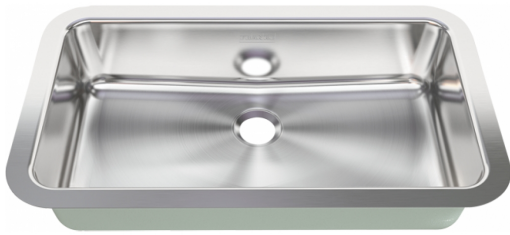


WB1119U-5 Vanity undermount,18ga | 214.0493.225



Single compartment undermount vanity basin. 18 gauge (1.2 mm), type 304 (CNS 18/10) stainless steel. Exposed surfaces are #4 satin finished. Undercoated to reduce condensation and resonance. Includes cutout template.

Certified to ASME A112.19.3-2008 / CSA B45.4-08. Wheelchair accessible: meets ADA (Americans with disabilities act guidelines), ANSI A117.1 (Accessible and usable buildings and facilities), and CSA B651-04 (Accessible design for the built environment). Check local codes to ensure compliance. Centre back waste location, accepts 1 1/4" (32 mm) waste assembly (not included). 11 x 19" Overall. 9 x 17 x 4 1/2" Bowl. (FB x LR x D). 279 x 483 mm Overall. 229 x 432 x 114 mm Bowl. (FB x LR x D).

Product Dimensions

Overall front to back	10.984
Overall left to right	19.016
Bowl dimension front to back	9.016
Bowl dimension left to right	17.008
Bowl depth	4.488

Installation

Installation type	Undermount
-------------------	------------

Product specifications

Gauge	18
Wheelchair accessibility	Yes
Certification	cUPC
Type of material	Type 304
Material code	CNS 18/10
Surface finish	Mirror rim, satin bowl
Number of bowls	1
Faucet ledge position	No
Waste location	Center back
Waste size	1 1/4" (32mm)

Product identification

Model	WB1119U-5
Product brand	FRANKE
Product category	Vanity basins

Features

Overflow location	No
-------------------	----

Waste assembly

Not included