



BARRIER FREE

WASHBROOK™ FloWise® UNIVERSAL URINAL

- Vitreous china
- Ultra High Efficiency, Low Consumption operates in the range of 0.10 to 0.8gpf (0.5 to 3.8Lpf)
- Flushing rim
- Elongated 14-1/8" (360mm) rim from finished wall
- Washout flush action
- Extended sides for privacy
- 3/4" inlet spud
- Outlet connection threaded 2" inside (NPTF)
- 2 Wall hangers
- Fixture only, (Flush valve shown not included)
- Meets ANSI flush requirements at 0.10 to 0.8gpf (0.5 to 3.8Lpf)

6590 001 Universal Top Spud

6515 001 Universal Back Spud

Nominal Dimensions:

480 x 360 x 664mm
(18-7/8" x 14-1/8" x 26-1/8")

Recommended working pressure--
between 20 psi at valve when flushing
and 80 psi static.

**Meets or Exceeds the Following Specifications:
Compliance Certifications -**

- ASME A112.19.2-2008/CSA B45.1-08 for Vitreous China Fixtures

To Be Specified

Colour: White Bone

Flush Valve:

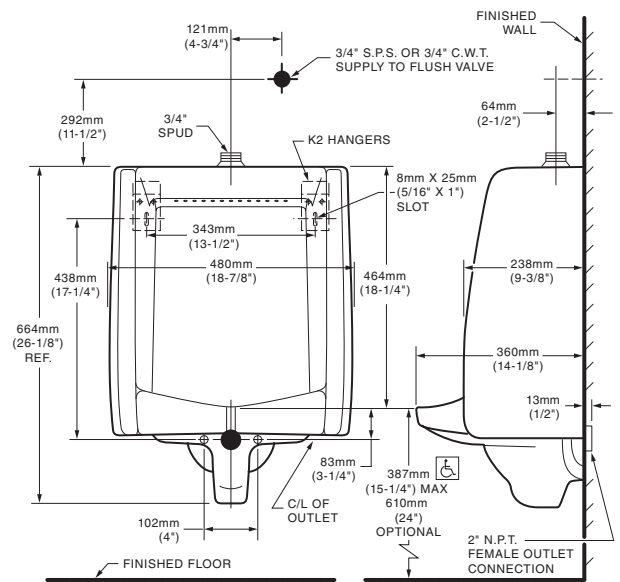
- 0.8 gpf/3.8Lpf Flush Valve: Sensor-Operated:
 - Selectronic® 6063101.002 DC Power (Top Spud)
 - Selectronic® 6062310.007 AC Power (Back Spud)
- 0.8 gpf/3.8Lpf Flush Valve: Manual-Operated:
 - 6045101.002
- 0.4 gpf/1.9Lpf Flush Valve: Sensor-Operated:
 - Selectronic® 6063051.002 DC Power (Top Spud)
 - Selectronic® 6062305.007 AC Power (Back Spud)
- 0.4 gpf/1.9Lpf Flush Valve: Manual-Operated:
 - 6045051.002
- 0.10 gpf/0.5Lpf Flush Valve: Sensor-Operated:
 - Selectronic® 6063013.002 DC Power (Top Spud)
 - Selectronic® 6062301.007 AC Power (Back Spud)
- 0.10 gpf/0.5Lpf Flush Valve: Manual-Operated:
 - 6045013.002

Stainless Steel Strainer: 047068-0070A

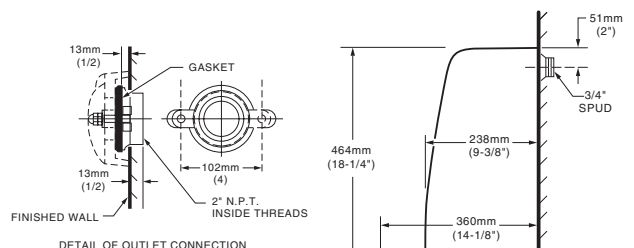
NOTES:
FLUSH VALVE NOT INCLUDED AND MUST BE ORDERED SEPARATELY.
PROVIDE SUITABLE REINFORCEMENT FOR ALL WALL SUPPORTS.

IMPORTANT: Dimensions of fixtures are nominal and may vary within the range of tolerances established by ANSI Standard A112.19.2.
These measurements are subject to change or cancellation. No responsibility is assumed for use of superseded or voided pages.

●When installed so top of rim is 387mm (15-1/4") from finished floor.
MEETS THE AMERICAN DISABILITIES ACT GUIDELINES AND ANSI A117.1 ACCESSIBLE AND USEABLE BUILDINGS AND FACILITIES - CHECK LOCAL CODES.



6590 001



6515 001

