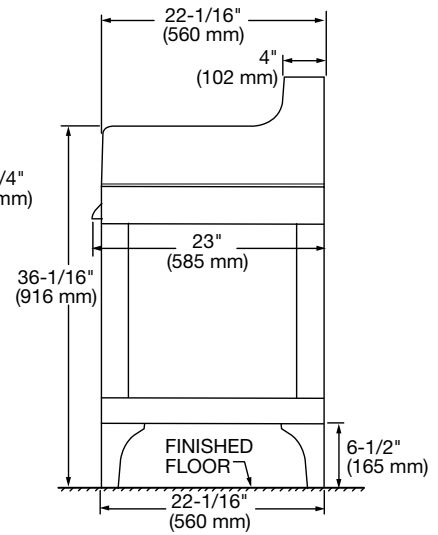
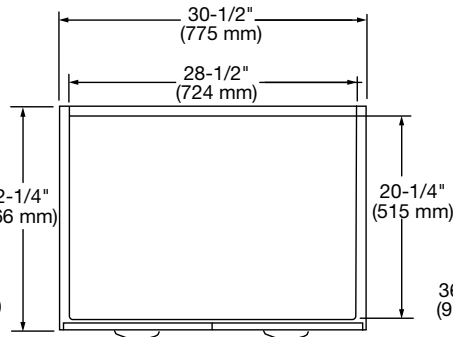
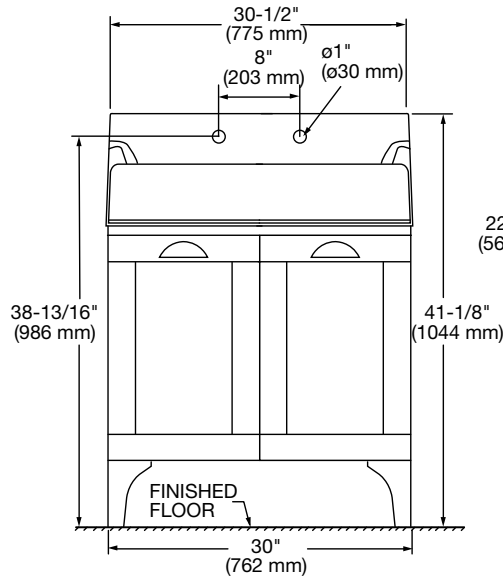




**ROUGHING-IN DIMENSIONS:**

• For reference

**VANITY - D19010030**



**IMPORTANT:**  
THE OAKHILL LAVATORY (MODEL D20155) CANNOT BE INSTALLED AS A WALL HUNG LAVATORY. THE LAVATORY MUST BE INSTALLED USING THE OAKHILL CONSOLE STAND OR VANITY.

Installation	Lav #	Vanity #	Console #	Mounting Kit #	Drain Cover (optional, sold separately)
Vanity	D20155.002.415	D19010.030.XXX	—	7302080-100	D35155.040.XXX
Console	D20155.002.415	—	D21411.030.XXX	7302080-100	D35155.040.XXX

**1 WALL PREPARATION:**

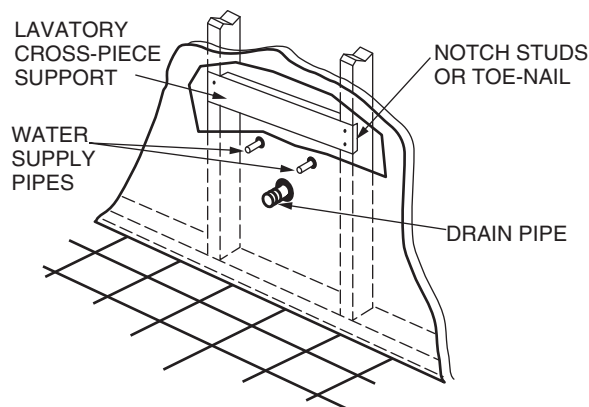
**Lavatory Mounting Provisions** - Whether the lavatory is used for replacement or new installation, the wall area behind the lavatory basin mounting holes must be reinforced to provide secure mounting for the new unit.

**Preparing Wall for Lavatory Mounting**

**Optional:** For non-masonry installation, crosspieces must be installed to reinforce the lavatory mounting surface to provide adequate support, install as described below.

1. Remove wallboard/covering from designated area.
2. Toenail 2" x 6" (51mm x 152mm) cross piece between studs (or notch studs to accept a 1" x 6" (25mm x 152mm) crosspiece, and attach securely). Place the lavatory into desired position and check height of mounting holes for dimensional location of horizontal crosspiece.
3. Replace wallboard/finished wall media.

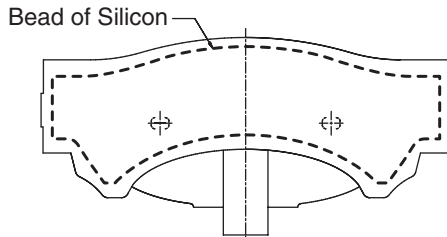
**INSTALLING CROSS-PIECE**



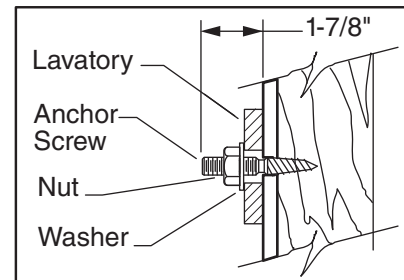
## 2 INSTALLING LAVATORY

**CAUTION: Lavatories are extremely heavy. For personal safety, always use extra person for installation.**

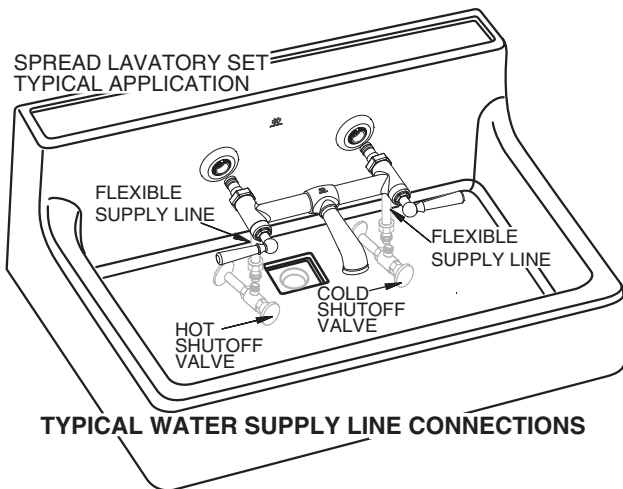
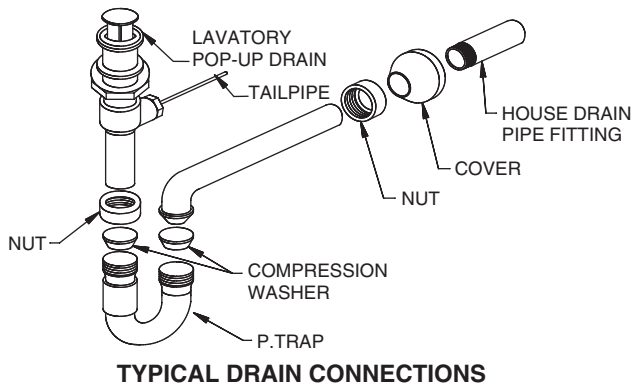
- Using level, draw a vertical line starting at the waste water return hole. Draw a horizontal line at the required dimension from floor. Check the dimension placing the lavatory and vanity/console legs into position. Mark and drill holes through the mounting holes along the horizontal line. Install lavatory anchor screws leaving 1-7/8" threaded end exposed as illustrated.
- Apply a bead of silicon to the back of the lavatory. See Diagram.



Geometry shown is for illustration only and may not match product geometry.



- Pre-assemble P-trap drain connections in accordance with manufacturer's instructions. Connect supply lines to shutoff valves and loosely install drain connections.



- Loosely attach the lavatory to the wall at the anchor locations, while supported by vanity or console legs.

**NOTE:** The lavatory must be installed using the Oak Hill console stand or vanity. Please read the console/vanity instructions before installation.

## INSTALLATION PROCEDURES

Typical installation includes installation of faucet, connection of flexible water supply lines, attachment of basin to countertop, sizing and installation of drain to house water system.

**NOTE:** THIS LAVATORY CAN NOT BE INSTALLED AS A WALL HUNG LAVATORY. THE LAVATORY MUST BE INSTALLED USING THE OAK HILL CONSOLE STAND OR VANITY ONLY.

### PART

7301531-100 — Mounting Kit

#### In the United States:

DXV by American Standard  
One Centennial Avenue  
Piscataway, New Jersey 08855  
Attention: Director of Customer Care

For residents of the United States, warranty information may also be obtained by calling the following toll free number: (800) 227-2734  
[www.DXV.com](http://www.DXV.com)

#### In Canada:

DXV by American Standard  
5900 Avebury Road  
Mississauga, Ontario  
L5R 3M3  
Canada

Toll Free: 1-800-387-0369  
Local: 905-306-1093  
Fax: 1-800-395-1498  
[www.DXV.ca](http://www.DXV.ca)

#### In Mexico:

DXV by American Standard  
Via Morelos 330  
Col. Santa Clara Coatitla  
Ecatepec, Estado de México 55540

Toll Free: 01-800-8391200  
[www.DXV.mx](http://www.DXV.mx)