

# INSTALLATION INSTRUCTIONS CARE AND MAINTENANCE

*American Standard*

Style That Works Better

## FloWise™ DUAL FLUSH 2-PIECE TOILET

Model 2479.216 / 2479.516 / 2476.216 / 2476.516

Model 2480.216 / 2480.516 / 2484.216 / 2484.516 Right Height™



Thank you for selecting American Standard - the benchmark of fine quality for over 100 years. To ensure this product is installed properly, please read these instructions carefully before you begin. (Certain installations may require professional help.) Also be sure your installation conforms to local codes.

**⚠ CAUTION: PRODUCT IS FRAGILE. TO AVOID BREAKAGE AND POSSIBLE INJURY HANDLE WITH CARE!**

NOTE: Pictures may not exactly define contour of china and components.

### RECOMMENDED TOOLS AND MATERIALS

Putty Knife	Regular Screwdriver	Adjustable Wrench	Sealant	Tape Measure
Hacksaw	Wax Ring/Gasket	Flexible Supply Tube	Closet Bolts	Carpenters Level

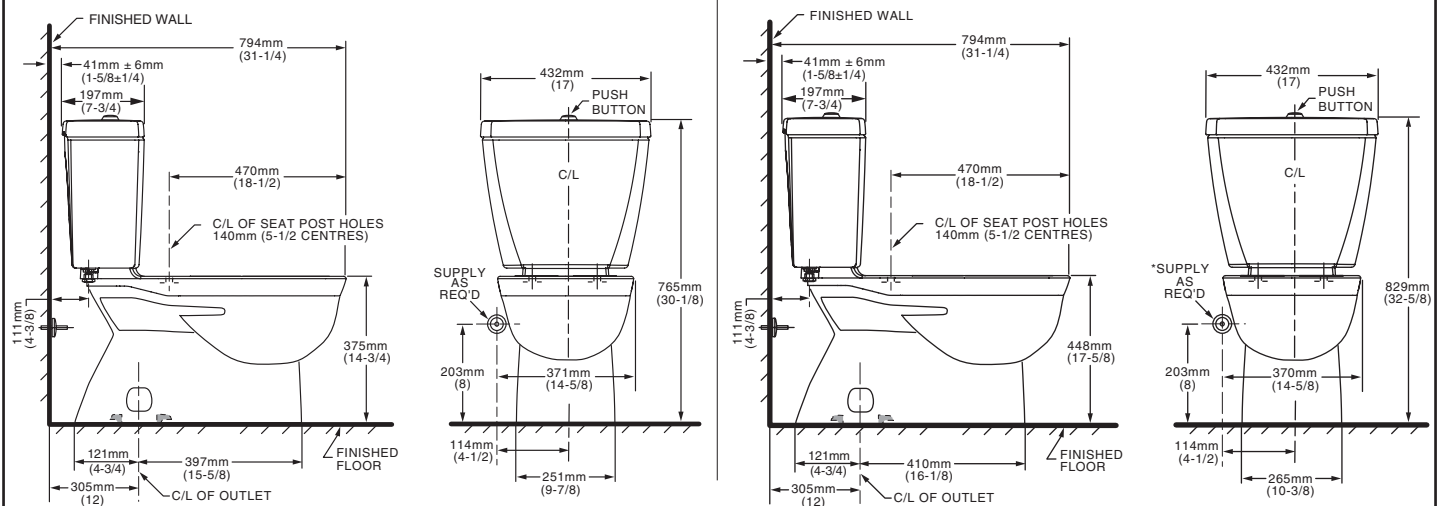
#### 1 REMOVE OLD TOILET

- Close toilet supply valve and flush tank completely. Towel or sponge remaining water from tank and bowl.
  - Disconnect and remove supply line.
- NOTE:** If replacing valve, first shut off main water supply!
- Remove old mounting hardware, remove toilet and plug floor waste opening to prevent escaping sewer gases.
  - Remove closet bolts from flange and clean away old wax, putty, etc. from base area.
- NOTE:** Mounting surface must be clean and level **before** new toilet is installed!

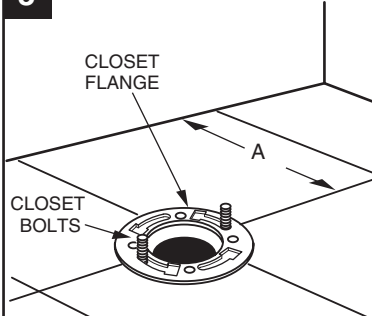
#### 2 ROUGHING-IN DIMENSIONS:

Model 2479.216 / 2479.516 / 2476.216 / 2476.516

Model 2480.216 / 2480.516 / 2484.216 / 2484.516 Right Height™

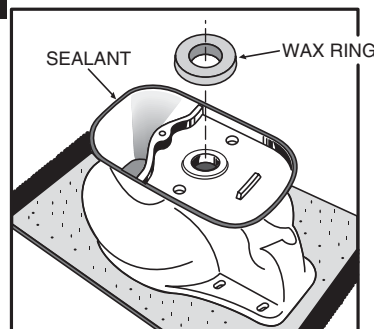


#### 3



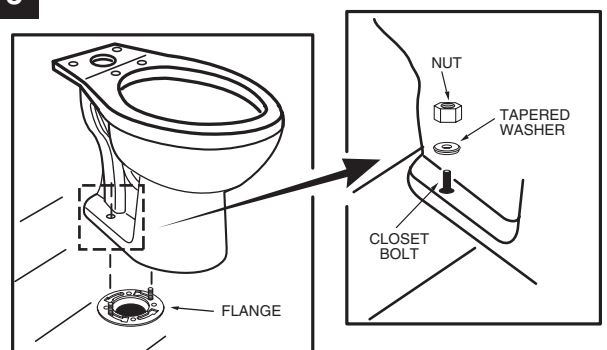
**INSTALL CLOSET BOLTS**  
Install closet bolts in flange channel, turn 90°, and slide into place 6" (152mm) apart and parallel to wall.

#### 4



**INSTALL WAX SEAL**  
Invert toilet on floor (cushion to prevent damage), and install wax ring evenly around waste flange (horn), with tapered end of ring facing toilet. Apply a thin bead of sealant around toilet base.

#### 5

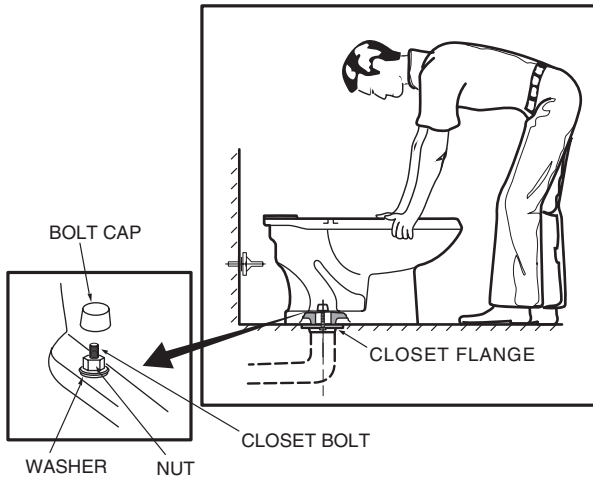


**POSITION TOILET ON FLANGE**

- Unplug floor waste opening and install toilet on closet flange so bolts project through mounting holes.
- Loosely install retainer washers and nuts. Side of washers marked "THIS SIDE UP" must face up!

SAVE FOR FUTURE USE

6



**INSTALL TOILET**

- a. Position toilet squarely to wall and, with a rocking motion, press bowl down fully on wax ring and flange. Alternately tighten nuts until toilet is firmly seated on floor.



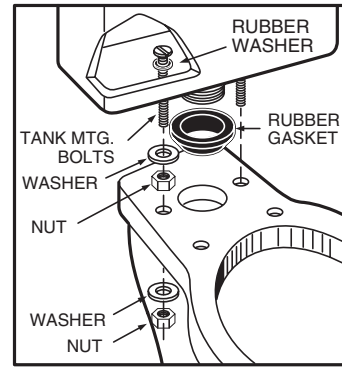
**CAUTION:**  
DO NOT OVERTIGHTEN NUTS  
OR BASE MAY BE DAMAGED!

- b. Install caps on washers. (If necessary, cut bolt height to size before installing caps.)
- c. Smooth off the bead of sealant around base. Remove excess sealant.

7

**Tank Installation Kit Includes:**

2 bolts, 2 rubber washers, 4 metal washers, 4 metal nuts, 2 plastic nuts, 1 large rubber gasket.



**INSTALL TANK**

- a. Discard plastic nuts.
- b. Install tank mounting bolts and rubber washers from inside tank, through mounting holes and secure with one metal washer and one nut per bolt.
- c. Install large rubber gasket over threaded outlet on bottom of tank and lower tank onto bowl so that tapered end of gasket fits evenly into bowl water inlet opening.
- d. With tank parallel to wall, secure tank to bowl using remaining two metal washers and nuts. Alternately tighten nuts until tank is snugged down evenly against bowl surface.

**\* USE INCLUDED TOOL, NUT DRIVER, OR DEEP SOCKET RACHET.**



**CAUTION:**  
DO NOT OVERTIGHTEN NUTS MORE THAN REQUIRED FOR A SNUG FIT!

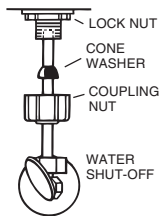
8

**INSTALL TOILET SEAT** Install toilet seat in accordance with manufacturer's directions.

9a

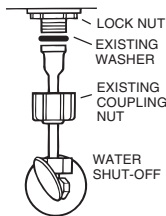
Before continuing, determine the type of water supply connection you have from the chart below and use the appropriate assembly parts required to properly reconnect the water supply. **DO NOT** use plumber's putty to seal these fittings.

**METAL / COPPER FLARED TUBING**



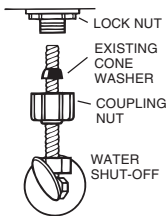
These parts must be used as illustrated to insure water-tight connection. Use of existing coupling nut may result in water leakage. Water supply tube or pipe must extend at least 1/2" inside threaded shank of valve (does not apply to flanged tubing).

**METAL FLANGED TUBING**



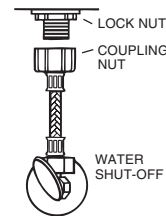
Use existing coupling nut and washer.

**METAL SPIRAL TUBING**



Use existing spiral cone washer. Fluidmaster cone washer may not seal completely on spiral type supply line.

**VINYL / BRAIDED CONNECTOR**

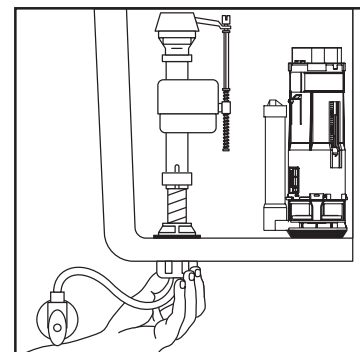


Captive cone washers already included. No additional washers needed.

**CAUTION: DO NOT USE CONE WASHER WITH PLASTIC SUPPLY LINE.**

**CAUTION: Overtightening of LOCK NUT or COUPLING NUT could result in breakage and potential flooding.**

9b



With correct washers in place (see Step 9a), tighten **COUPLING NUT** 1/4 turn beyond hand tight.

**DO NOT OVERTIGHTEN.**

10

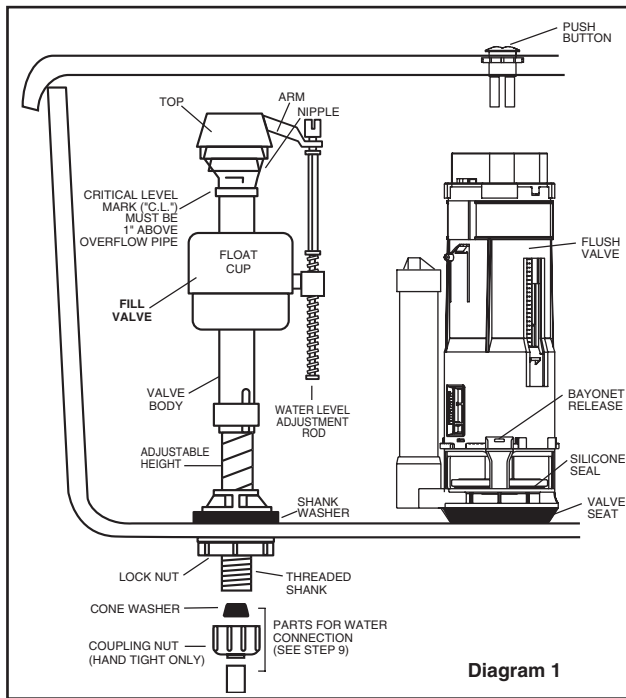


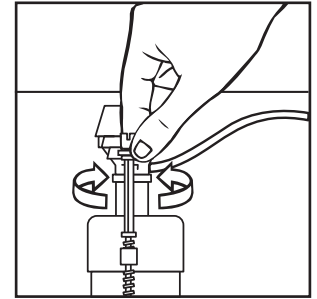
Diagram 1

**ADJUSTMENTS**

- a. Adjust water level. Water level should be adjusted to level indicated on tank by adjusting float cup.

*See Step 11 for water level adjustment method*

11



Turn on water supply. Submerge the FLOAT CUP under the water for 30 seconds. Adjust the water to desired level by turning WATER LEVEL ADJUSTMENT ROD and moving FLOAT CUP up or down.

**12 CARE AND CLEANING**

When cleaning your toilet, wash it with mild, soapy water, rinse thoroughly with clear water and dry with a soft cloth. Avoid detergents, disinfectants, or cleaning products in aerosol cans. NEVER use abrasive scouring powders or abrasive pads on your toilet seat. Some bathroom chemicals and cosmetics may damage the seat's finish.

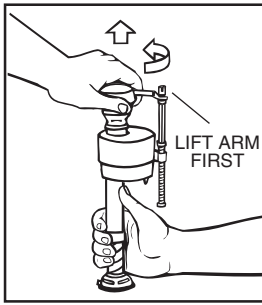
**⚠ WARNING:** Do not use in-tank cleaners. Products containing chlorine (calcium hypochlorite) can seriously damage fittings in the tank. This damage can cause leakage and property damage. **American Standard shall not be responsible or liable for any tank fitting damage caused by the use of cleaners containing chlorine (calcium hypochlorite).**

**REPAIR PARTS LIST**

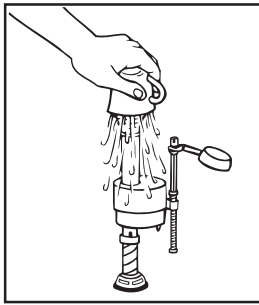
Repair parts are determined by toilet tank number which can be found marked inside tank.

**NOTE:** "XXX" represents color or trim finish options. Specify when ordering.

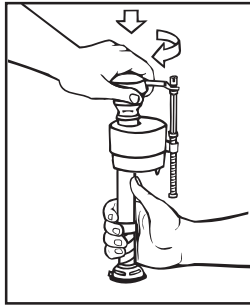
PART NO.	DESCRIPTION	TANK NUMBER	
		4035.216	4035.516
735130-400-XXX0A	TANK COVER WITH PUSH BUTTON	✓	✓
738565.426-0070A	FLUIDMASTER 400A VALVE	✓	
738565.427-0070A	FLUIDMASTER 400A VALVE		✓
7301143-0070A	TANK COUPLING KIT #258	✓	✓
7381002-400.0070A	DUAL FLUSH VALVE	✓	
7381002-401.0070A	DUAL FLUSH VALVE		✓
7381003-XXX0A	PUSH BUTTON ASSEMBLY - TOP MOUNT	✓	✓
034783-XXX0A	BOLT CAP KIT	✓	✓
760127-XXX0A	SEAT	✓	✓



**IMPORTANT: Always clear sand and rust from system.**  
 • Make sure water supply is off. Remove valve TOP by lifting arm and rotating top and arm 1/8 turn counterclockwise, pressing down slightly on cap.



• While holding a container over the uncapped VALVE to prevent splashing, turn water supply on and off a few times. Leave water supply off.



• Replace TOP by engaging lugs and rotating 1/8 turn clockwise. MAKE CERTAIN TIP IS TURNED TO THE LOCKED POSITION. VALVE MAY NOT TURN ON IF TOP IS NOT FULLY TURNED TO THE LOCKED POSITION.

**TROUBLESHOOTING**

**IF FILL VALVE SHUTS OFF BUT CONTINUES TO LEAK SLOWLY**, repeat Step 13.

**IF FILL VALVE TURNS OFF AND ON DURING PERIODS OF NON-USE**, it is a signal you are wasting water because:

- The end of the refill tube is inserted into overflow pipe, below water level in tank. Attach refill tube to overflow pipe using "S" clip provided.
- The flush valve is leaking because it's worn, dirty or misaligned with tank ball or flapper (replace with a new flapper).

**IF FILL VALVE WON'T TURN ON OR SHUT OFF or REFILL OF TANK WATER IS SLOW after valve has been in use for some time**, Fluidmaster Model 242 Replacement Seal may be needed.

Go to our website at [www.fluidmaster.com](http://www.fluidmaster.com) for more solutions to toilet problems.

For troubleshooting information please contact:

**Fluidmaster Inc**

30800 Rancho Viejo Road  
 San Juan Capistrano, CA 92675  
 (949) 728-2000 (800) 631-2011  
[www.fluidmaster.com](http://www.fluidmaster.com)

© 2001 Fluidmaster, Inc.  
 © Registered trademark of Fluidmaster, Inc.

**GUARANTEE:** This Fluidmaster product is guaranteed to be free from defective materials and workmanship for a period of one year. Units returned to Fluidmaster will be replaced without charge.

Always use quality Fluidmaster repair parts when maintaining your Fluidmaster products. Fluidmaster shall not be responsible or liable for any damages caused by products used with Fluidmaster valves that were not manufactured by Fluidmaster, Inc.

**TROUBLESHOOTING GUIDE**

PROBLEM	POSSIBLE CAUSE	CORRECTIVE ACTION
Does not flush	a. Water supply valve closed. b. Supply line blocked. c. Sand or debris lodged in water control.	a. Open valve and allow water to fill tank. b. Shut off water supply, disconnect supply line and inspect all gaskets and washers. Reassemble. Also, see Fluidmaster maintenance. (see Step 13) c. Shut off water supply. Remove cap and clean as per Step 13.
Poor or sluggish flush	a. Bowl water level too low. b. Supply valve partly closed. c. Partially clogged trapway and/or drain pipe and/or vent. d. Supply pressure too low.	a. Check that water level is set to correct height. b. Open supply valve fully. Be sure that proper supply tube size is used. c. Remove obstruction. Consult a plumber if necessary. d. Normal supply pressure must be at least 20 psi.
Toilet leaks	a. Poor supply line connection. b. Poor bowl to tank/floor connection.	a. Review Step 9 of installation procedure. b. Review Step 4 through 7 of installation procedure.
Toilet does not shut off	a. Flush valve seat and/or rubber seal worn or deformed. b. Sand or debris lodged in water control.	a. Shut off water supply. Replace flush valve. b. Shut off water supply. Remove cap and clean per Step 13.

**AS AMERICA, INC. TWO YEAR LIMITED WARRANTY**

If inspection of this AS America, Inc. ("American Standard") plumbing product, within two years after its initial installation, confirms that it is defective in materials or workmanship, American Standard will repair or, at its option, exchange the product for a similar model.

This warranty **does not apply** to local building code compliance. Since local building codes vary considerably, the purchaser of this product should check with a local building or plumbing contractor to insure local code compliance before installation.

This warranty **shall be void** if the product has been moved from its initial place of installation; if it has been subjected to faulty maintenance, abuse, misuse, accident or other damage; if it was not installed in accordance with American Standard's instructions; or if it has been modified in a manner inconsistent with the product as shipped by American Standard.

This warranty **DOES NOT COVER** any damage caused by the use of in-tank cleaners.

American Standard's option to repair or exchange the product under this warranty does not cover any labor or other costs of removal or installation, **nor shall American Standard be responsible for any other incidental or consequential damages attributable to a product defect or to the repair or exchange of a defective product, all of which are expressly excluded from this warranty.** (Some states or provinces do not allow the exclusion or limitation of implied warranties, so this exclusion may not apply to you.)

This warranty gives you specific legal rights. You may have other statutory rights that vary from state to state or from province to province, in which case this warranty does not affect such statutory rights.

For service under this warranty, it is suggested that a claim be made through the contractor or dealer from or through whom the product was purchased, or that a service request (including a description of the product model and of the defect) be sent to the following address:

**In the United States:**  
 American Standard Inc.,  
 P.O. Box 6820  
 Piscataway, New Jersey 08855  
 Attention: Director of Consumer Affairs  
 For residents of the United States, warranty information may also be obtained by calling the following toll free number: (800) 442-1902  
[www.americanstandard-us.com](http://www.americanstandard-us.com)

**In Canada:**  
 American-Standard,  
 2480 Stanfield Rd.,  
 Mississauga, Ontario  
 Canada L4Y 1S2  
 Toll Free: (800) 387-0369  
[www.americanstandard.ca](http://www.americanstandard.ca)

**In Mexico:**  
 Customer Service Manager  
 Ideal Standard, S.A. de C.V.  
 Via Morelos #330  
 Col. Santa Clara  
 Ecatepec 55540 Edo. Mexico  
[www.americanstandard.com.mx](http://www.americanstandard.com.mx)