

Features

- Solid brass construction
- Aerated hidden stream
- Single hole installation
- Ceramic disc valve cartridge
- PVD finish (Physical Vapour Deposit): A high technology process that protects the surface finish for increased durability

Maximum flow rate

- 5.7 L/min (1.5 gpm)

Colors (Finishes)

- Chrome: BF1162-110
- Brushed nickel PVD: BF1162-120

Certifications

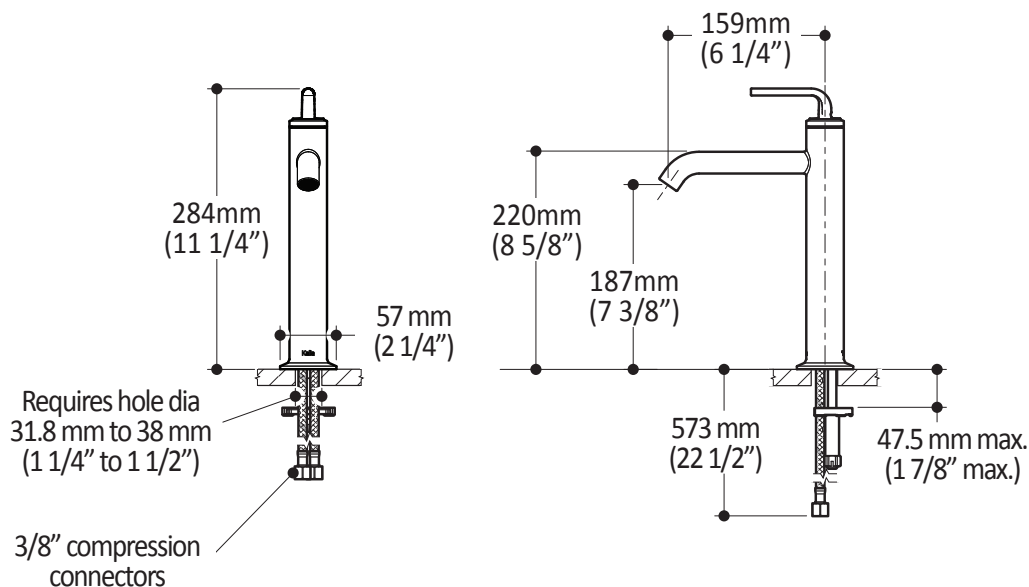
The specified model meets or exceeds the following standards:

**Installation Notes**

This product must be installed following the installation instructions provided.

WARRANTY

Kalia Inc. guarantees all aspects of its products to be free of defects in material and workmanship for normal residential use. **Refer to the warranty included with the Kalia products for details.**

Product dimensions:

Important: Dimensions are approximated and are subject to changes. Please refer to the installation instructions.