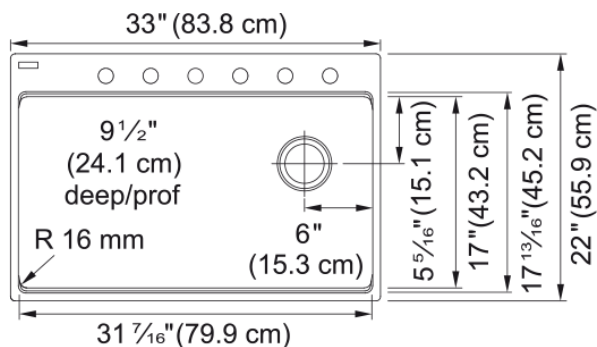
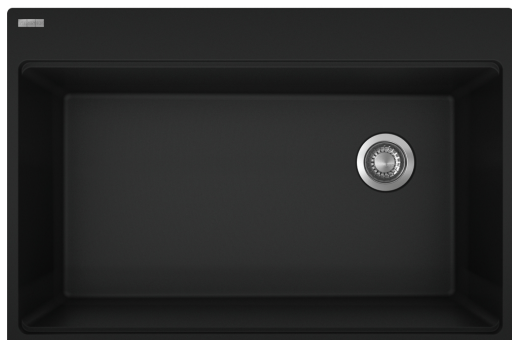


Maris Topmount Sink MAG61031OW-MBK-S | 114.0637.925



Technical Data

Aspect

Sink type	Sink
Type of material	Granite
Number of bowls	1
Color	Matte black
Finish	None

Product Dimensions

Exterior size: right to left	33
Exterior size: front to back	22
Large bowl size: right to left	31.457
Large bowl size: front to back	17.154
Large bowl: depth	9.5

Installation

Minimum cabinet size	36"
----------------------	-----

Product specifications

Installation type	Topmount / drop in
Drain hole	3 1/2"
Position of drainer	No drainer

Product identification

Product brand	FRANKE
Product family	Maris
Collection	Maris
Certified by	CUPC

Features

Drainers number	No drainer
Product reversibility	No
Faucet ledge	Yes
Strainer assembly included	Yes

Features

Strainer assembly type	Manual
Overflow	No
Number of faucet holes	6 - pre-scored
Soap dispenser hole	No